

Barudan

HIGH SPEED AUTOMATIC EMBROIDERY MACHINE

MODEL

BEMRHE-YS
BEMSHE-YS

PARTS LIST

BARUDAN CO., LTD.

ADDRESS 906 JOSUJI
ICHINOMIYA-CITY·AICHI-PREF·
JAPAN

TEL. <0586>76-1137

FAX. <0586>77-1499

TELEX 4573268 BARUNA J

CABLE BARUNA ICHINOMIYA

HIGH SPEED AUTOMATIC EMBROIDERY MACHIN

BEMRHE-YS • BEMSHE-YS

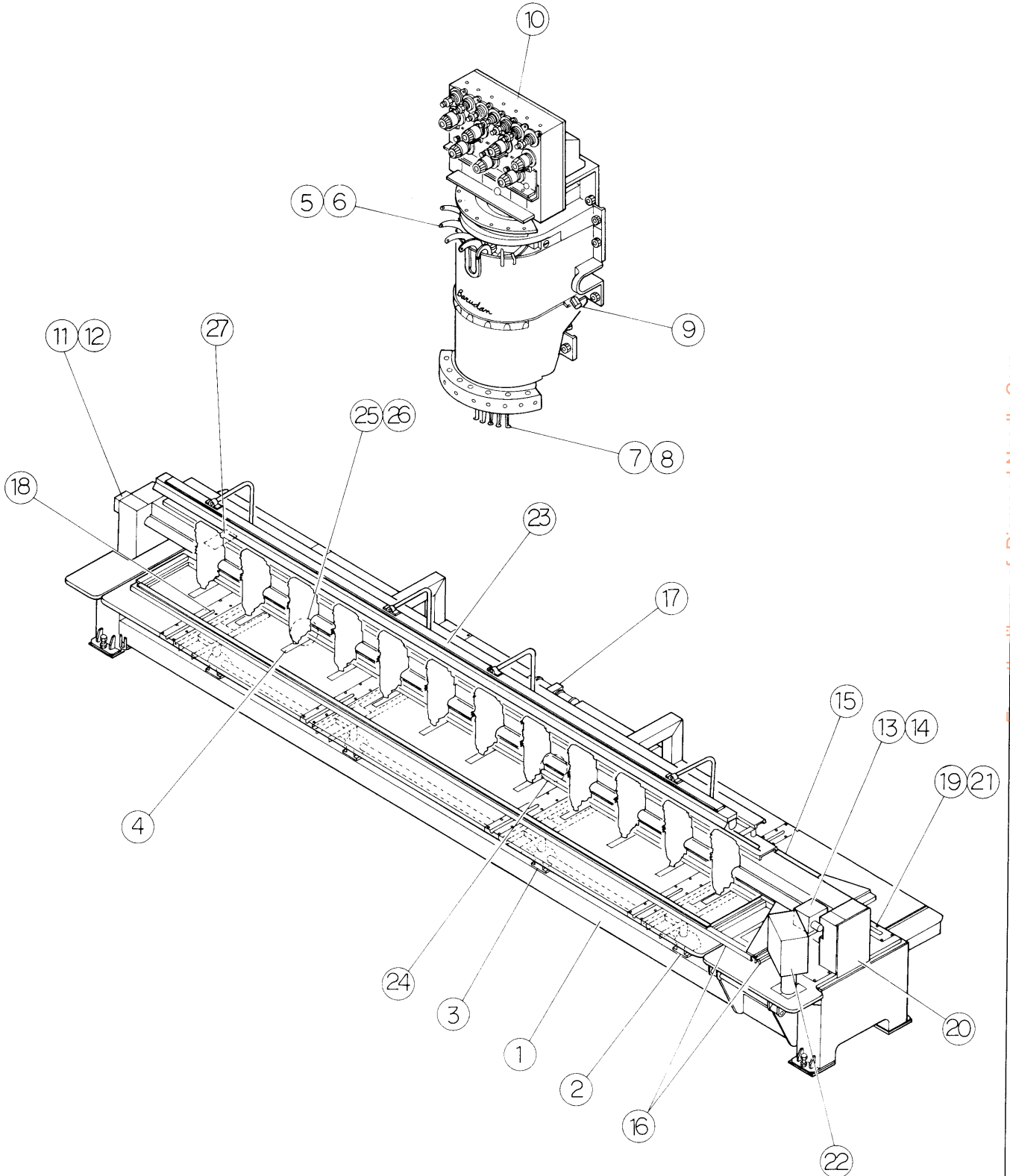
PARTS LIST

C O N T E N T S

ITEM No.	Page No.
Machine layout (BEMRHE-YS BEMSHE-YS)	1
① Table • Frame a' ssy	2
② Table lifter mechanism I (Master machine)	6
③ Table lifter mechanism II (Sub machine)	8
④ Bed a' ssy	1 0
⑤ Take up lever a' ssy I	1 2
⑥ Take up lever a' ssy II	1 4
⑦ Needle bar a' ssy I	1 6
⑧ Needle bar a' ssy II	1 8
⑨ Jump a' ssy	2 0
⑩ Thread guide mechanism	2 2
⑪ Drive a' ssy I	2 4
⑫ Drive a' ssy II	2 6
⑬ Color change mechanism I	2 8
⑭ Color change mechanism II	3 0
⑮ Pantograph drive mechanism I (V • H-Direction)	3 2
⑯ Pantograph drive mechanism II (V • H-Direction)	3 4
⑰ Pantograph drive mechanism III (H-Direction)	3 8
⑱ Pantograph drive mechanism IV (H-Direction)	4 0
⑲ Pantograph drive mechanism V (V-Direction)	4 2
⑳ Pantograph drive mechanism VI (V-Direction)	4 4
㉑ Pantograph drive mechanism VII (V-Direction)	4 6
㉒ Control system <BEMRHE-YS>.....	4 8
㉒ Control system <BEMSHE-YS>.....	5 0
㉓ Option	5 2
㉔ Thread cutting mechanism I	5 4
㉕ Thread cutting mechanism II	5 6
㉖ Thread cutting mechanism III	5 8
㉗ Thread cutting drive mechanism	6 0
㉘ Thread guide mechanism (Lower thread sensorium)	6 2
INDEX	6 4

Barudan

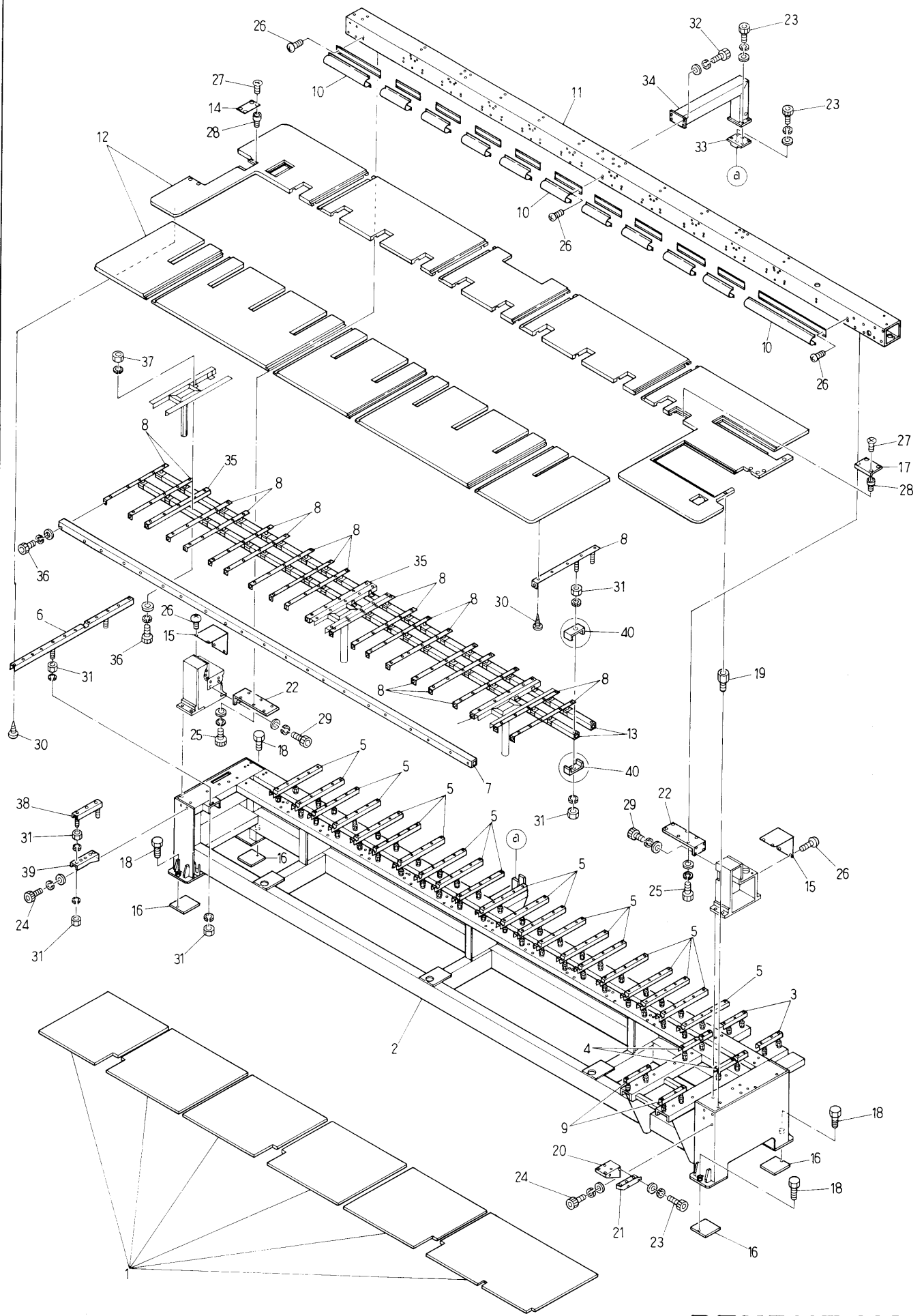
Machine layout (BEMRHE-YS
BEMRHE-YS)



BEMRHE-YS
BEMSHE-YS

MODEL

BEMRHE-YS
BEMSHE-YS

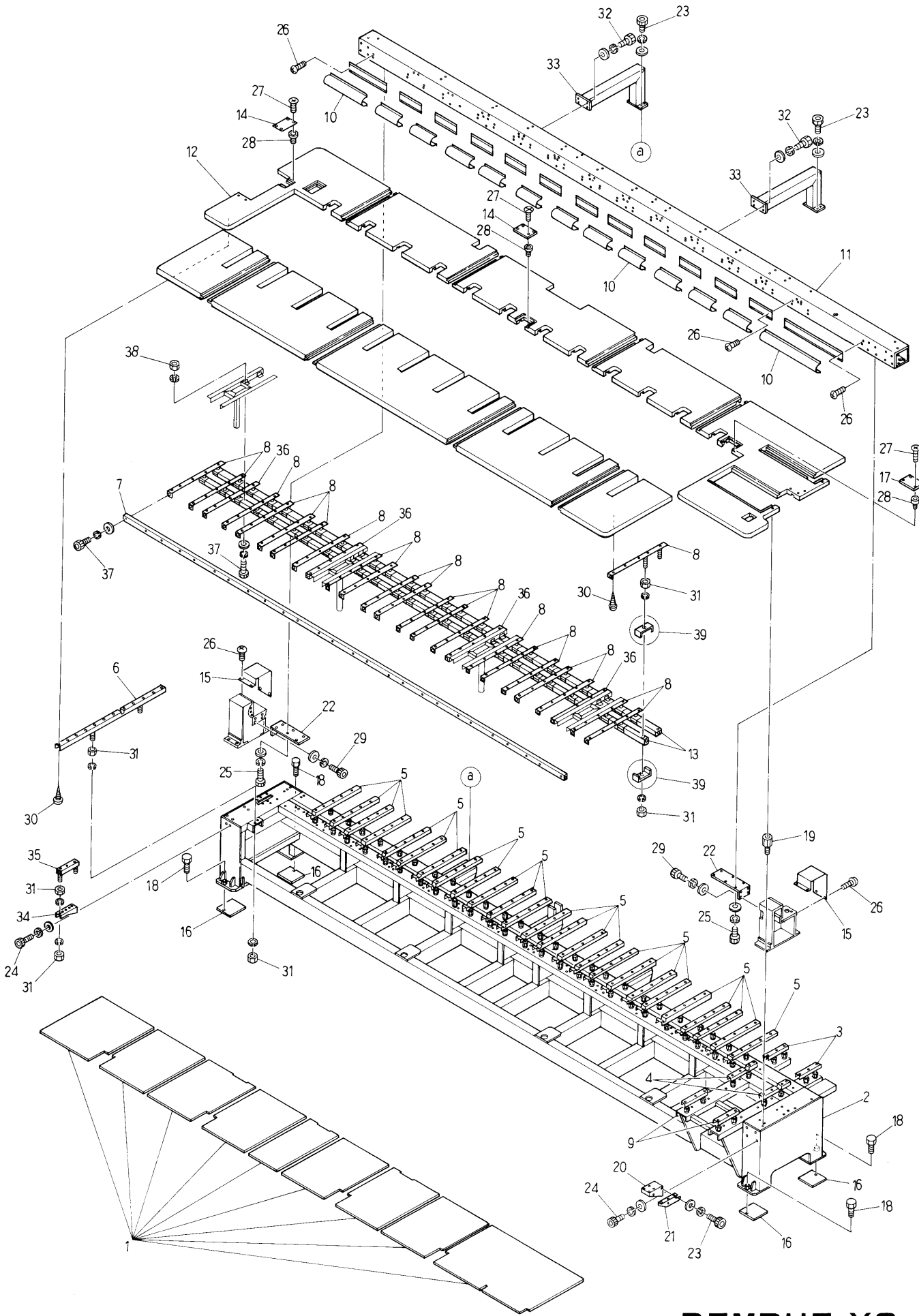


From the library of: Diamond Needle Corp

MODEL BEMRHE-YS
BEMSHE-YS

①Table • Frame a'ssy (BEMSHE-YS-10)

ITEM	LIST No.	DESCRIPTION	Q'TY	REMARK
1	1KHS1052052045H	Shelf board (BEMSHE-YS-10, 450×520/520)	1	
2	1AHS1052052045H	Frame (BEMSHE-YS-10, 450×520/520)	1	
3	HS140170	Table support (300L)	2	
4	HS140140	Table support (380L)	2	
5	HS140160	Table support (605L)	2	1
6	HS140150	Table support (1500L)	1	
7	HS140680	Table support (Front) (BEMSHE-YS-10, 450×520/520)	1	
8	HS140290	Table support [1] R	1	9
9	HS140010	Table support (310L)	2	
10	1SHS10520520K	Upper shaft cover set (MSHE-10, P520/520)	1	
11	1EHS1052052045H	Bridge (BEMSHE-YS-10, 450×520/520)	1	
12	1BHS1052052045H	Table (BEMSHE-YS-10, 450×520/520)	1	
13	HS140690	Table support (Rear) (BEMSHE-YS-10, 450×520/520)	2	
14	HP321110	Lower shaft connecting coupling cover	1	
15	HB310180	Bridge cover	2	
16	HP120030	Base plate (200×200×t1)	4	
17	HS510000	Position corder cover (BEMSHE)	1	
18		Hex, bolt M20×65		
19	HP140170	Table support bolt	3	
20	HP512320	Controller fixing stay	1	
21	HP14013045	Table support R (Front) (360L) (MSHE)	1	
22	HP130020	Bridge support	2	
23		Hex, socket bolt M8×20		
24		Hex, socket bolt M8×30		
25		Hex, socket bolt M10×40		
26		Truss screw M5×10		
27		Flush screw M4×8		
28		Nut (C) M4		
29		Hex, socket bolt M10×30		
30		Flush wood screw 5.1×25		
31		Hex, nut 3/8		
32		Hex, socket bolt M8×25		
33	HB130040	Bridge support base (Center)	1	
34	HB13001180	Bridge support (Center) for H stroke 800	1	
35	HS140540	Table support [1] L	3	
36		Hex, socket bolt M8×70		
37		Hex, nut M8		
38	HP140111	Table support (310L)	1	
39	HP140120	Table support bracket	1	
40	HS140560	Table support fixing bracket	8	8



From the library of: Diamond Needle Corp

MODEL **BEMRHE-YS**
BEMSHE-YS

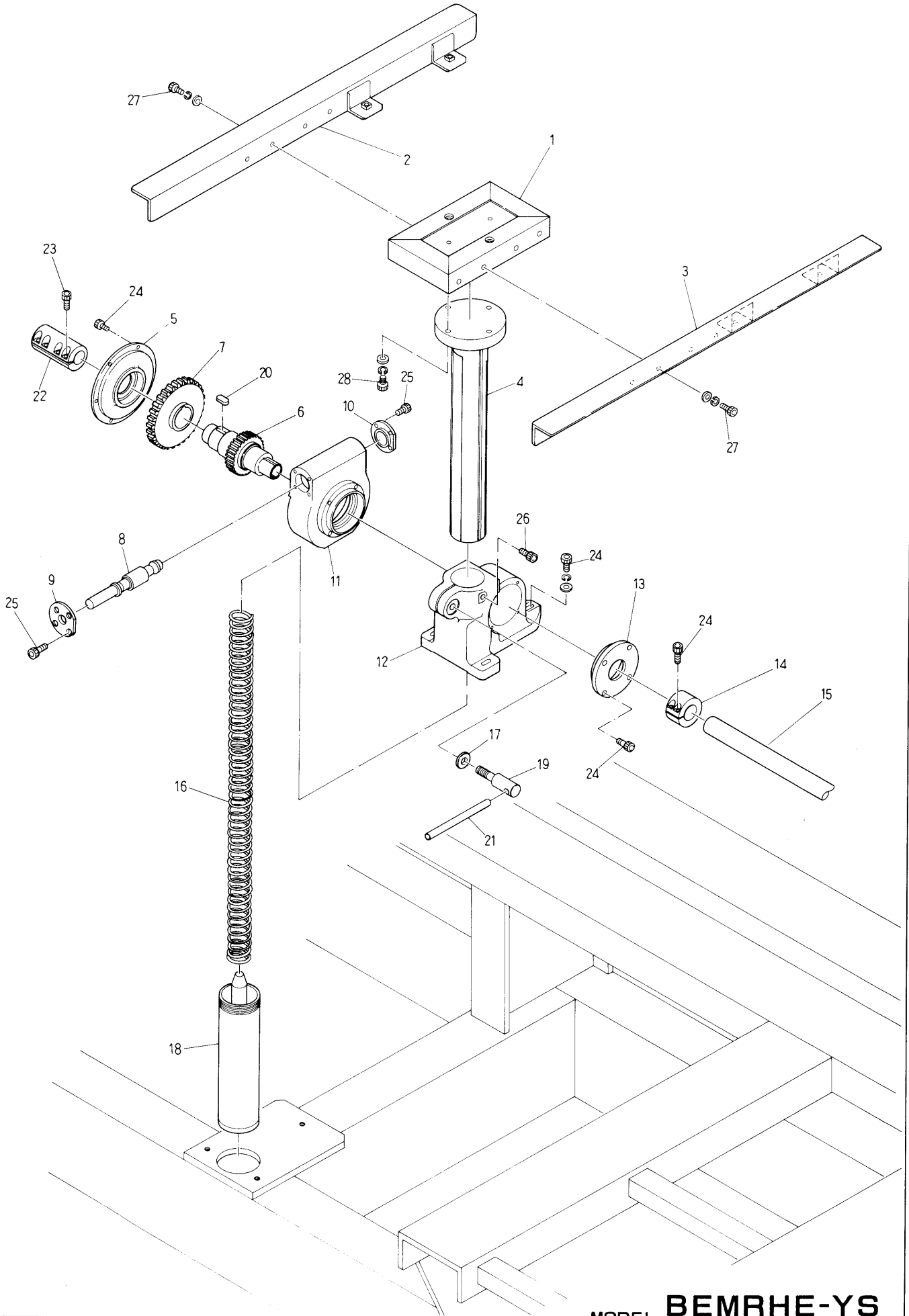
①Table・Frame a'ssy (BEMSHE-YS-12)

ITEM	LIST No.	DESCRIPTION	Q'TY	REMARK
1	IKHS1252052045H	Shelf board (BEMSHE-YS-12, 450×520/520)	1	
2	IAHS1252052045H	Frame (BEMSHE-YS-12, 450×520/520)	1	
3	HS140170	Table support (300L)	2	
4	HS140140	Table support (380L)	2	
5	HS140160	Table support (605L)	25	
6	HS140150	Table support (1500L)	1	
7	HS140590	Table support (Front) (BEMSHE-YS-12, 450×520/520)	1	
8	HS140290	Table support [1] R	22	
9	HS140010	Table support (310L)	2	
10	1SHS12520520K	Upper shaft cover set (MSHE-12, P520/520)	1	
11	1EHS1252052045H	Bridge (BEMSHE-YS-12, 450×520/520)	1	
12	1BHS1252052045H	Table (BEMSHE-YS-12, 450×520/520)	1	
13	HS140580	Table support (Rear) (BEMSHE-YS-12, 450×520/520)	2	
14	HP321110	Lower shaft connecting coupling cover	1	
15	HS130010	Bridge cover	2	
16	HP120030	Base plate (200×200×t1)	4	
17	HS510000	Position corder cover (BEMSHE)	2	
18		Hex, bolt M20×65		
19	HP140170	Table support bolt	3	
20	HP512320	Controller fixing stay	1	
21	HP14013045	Table support R (Front) (360L) (MSHE)	1	
22	HP130020	Bridge support	2	
23		Hex, socket bolt M8×20		
24		Hex, socket bolt M8×30		
25		Hex, socket bolt M10×40		
26		Truss screw M5×10		
27		Flush screw M4×8		
28		Nut (C) M4		
29		Hex, socket bolt M10×30		
30		Flush wood screw 5.1×25		
31		Hex, nut 3/8		
32		Hex, socket bolt M8×25		
33	HS130000	Bridge support base (Center)	2	
34	HP140120	Table support bracket	1	
35	HP140111	Table support (310L)	1	
36	HS140540	Table support [1] L	4	
37		Hex, socket bolt M8×70		
38		Hex, nut M8		
39	HS140560	Table support fixing bracket	104	

From the library of: Diamond Needle Corp

Barudan

② Table lifter mechanism I (Master machine)



From the library of: Diamond Needle Corp

MODEL **BEMRHE-YS**
BEMSHE-YS

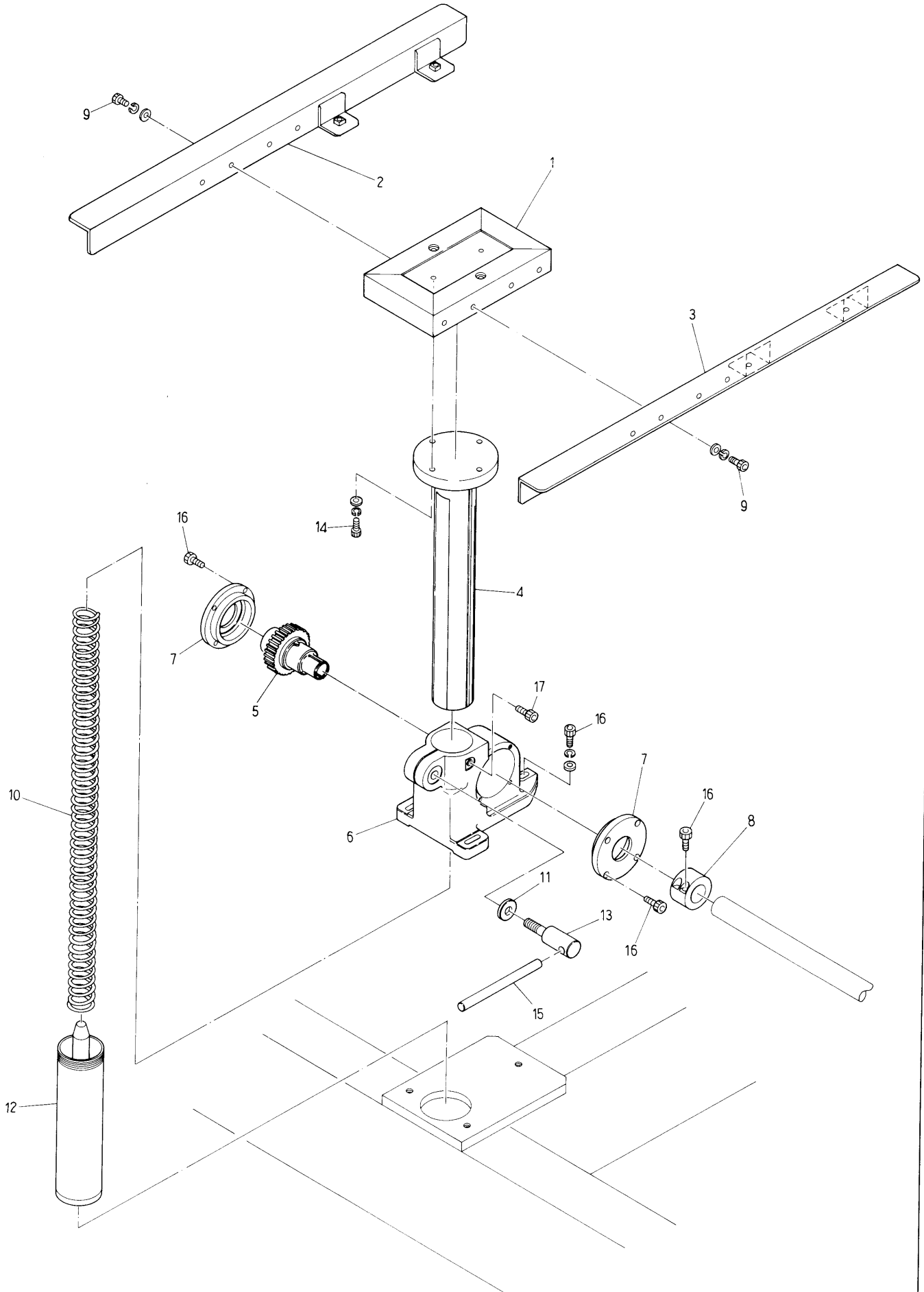
②Table lifter mechanism I (Master machine)

ITEM	LIST No	DESCRIPTION	Q'TY	REMARK
1	HS140960	Lifter connecting base	1	
2	HS140980	Lifter connecting stay (L)	1	
3	HS140970	Lifter connecting stay (R)	1	
4	HS140900	Center shaft	1	
5	HS140820	Worm cover	1	
6	HS140930	Pinion gear a'ssy (Master)	1	
7	HS140890	Worm wheel	1	
8	HS140800	Worm shaft	1	
9	HS140840	Worm side cover No.2	1	
10	HS140830	Worm side cover No.1	1	
11	HS140810	Worm case	1	
12	HS140700	Lifter (Master)	1	
13	HS140870	Side cover	1	
14	HS140720	Slit collar	1	
15	HS141000	Lifter connecting shaft 12-P520(25-5500)	1	
	HS141020	Lifter connecting shaft 10-P520(25-4500)	1	
16	HS140880	Lifter auxiliary spring	1	
17	HS140860	Washer	1	
18	HS140770	Auxiliary spring case	1	
19	HS140730	Clamp bolt	1	
20		Crosscut parallel key 7×7×25	2	
21	HS140850	Handle	1	
22	HS140990	Lifter connecting shaft coupling	2	
23		Hex, socket bolt M8×20		
24		Hex, socket bolt M6×20		
25		Hex, socket bolt M5×12		
26		Hex, socket bolt M10×25		
27		Hex, socket bolt M8×25		
28		Hex, socket bolt M8×35		

From the library of: Diamond Needle Corp

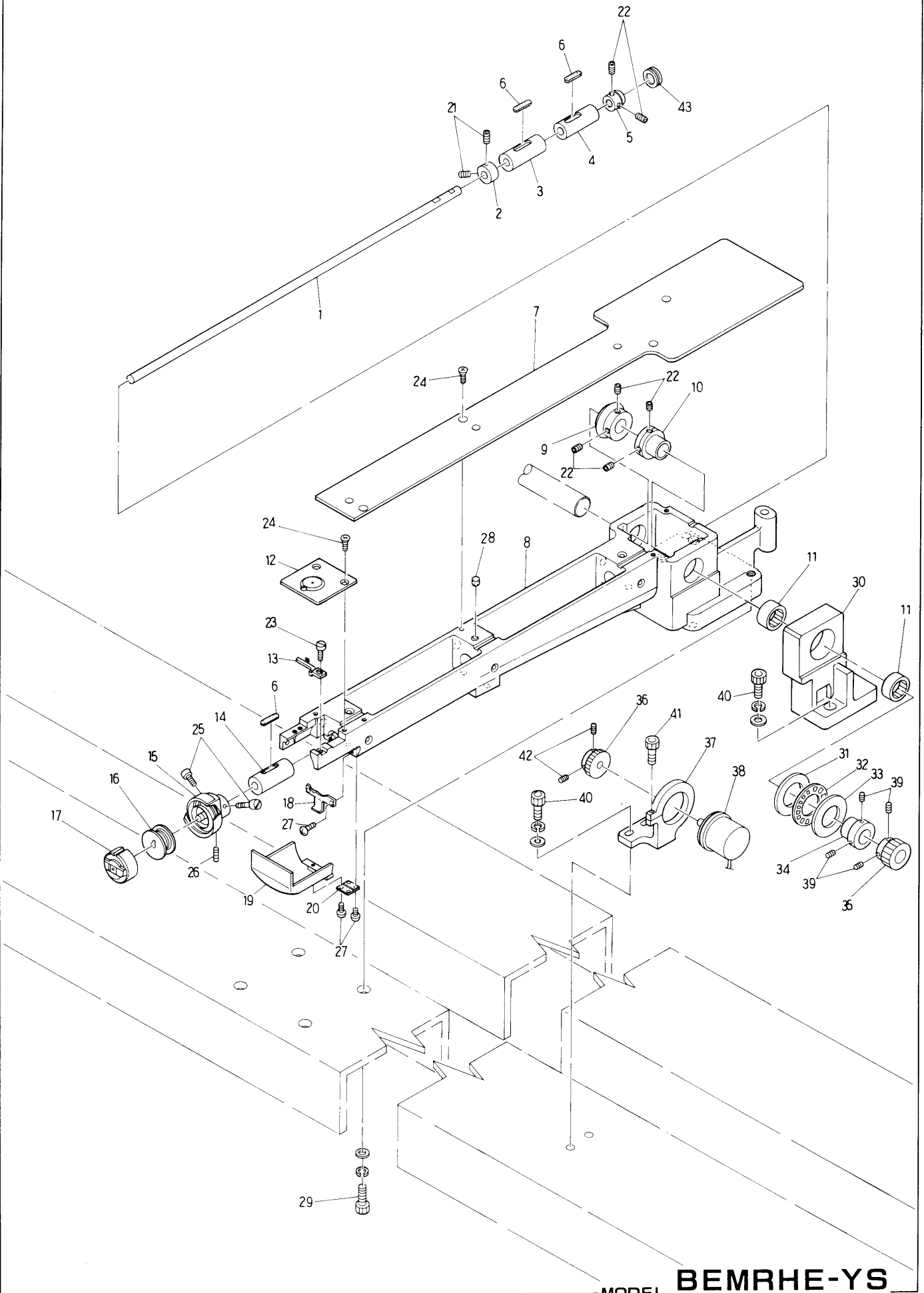
Barudan

③ Table lifter mechanism II (Sub machine)



From the library of: Diamond Needle Corp

MODEL BEMRHE-YS
BEMSHE-YS



From the library of: Diamond Needle Corp

MODEL **BEMRHE-YS**
BEMSHE-YS

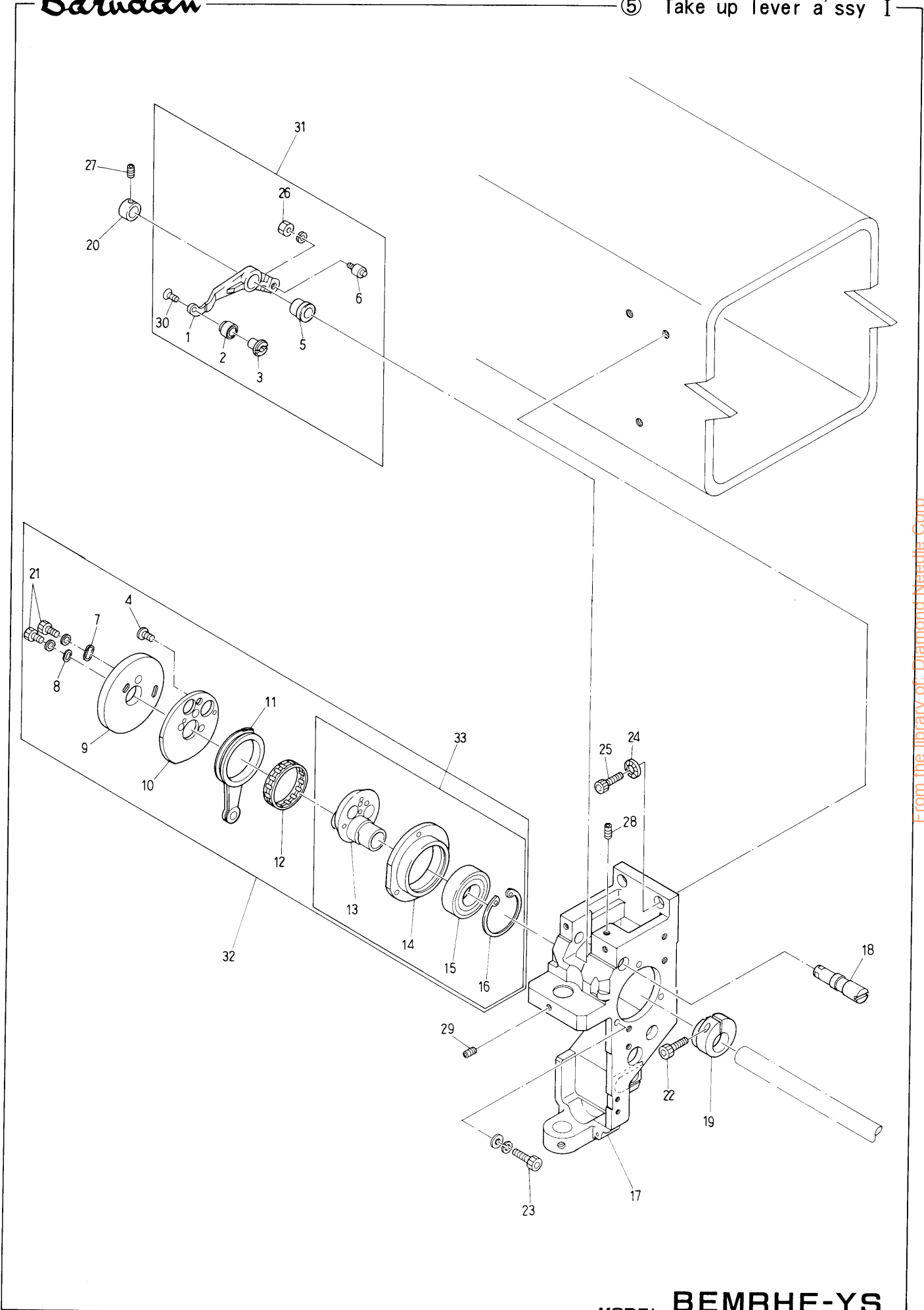
④ Bed a' ssy

(H=Head Q' TY)

ITEM	LIST No	DESCRIPTION	Q' TY	REMARK
1	HS 2 1 0 0 2 0	Lower shaft	H×1	
2	HP 2 2 0 6 8 0	Lower shaft collar	H×1	
3	KF 2 2 0 2 3 0	Lower shaft metal (Front)	H×1	
4	KF 2 2 0 2 2 0	Lower shaft metal (Rear)	H×1	
5	HP 2 2 0 7 1 2	Lower shaft gear (S)	H×1	
6	KL 2 2 0 1 4 0	Oil felt C (5×25×20)	H×3	
7	HS 2 1 0 0 4 0	Bed cover	H×1	
8	HS 2 1 0 0 1 1	Barrel bed	H×1	
9	HP 3 2 1 0 8 2	Lower connecting gear (L)	H×1	
10	HP 3 2 1 0 9 0	Lower shaft collar	H×1	
11	A 9 0 1 1 1 1 1	Needle bearing (TLA-2012Z)	H×2	
12	MA 2 5 0 1 3 1	Throat plate	H×1	
13	KC 2 2 0 6 5 0	Rotating hook bobbin case holder position bracket	H×1	
14	KF 2 2 0 2 4 0	Vertical shaft metal (Upper)	H×1	
15	HB 2 2 0 0 1 0	Rotating hook HSM-A(M2QTS)	H×1	
16	KF 2 2 0 4 2 1	Bobbin HSM(DBM)	H×1	
17	KF 2 2 0 3 0 2	Bobbin case BC-DBM (Z2)-NBL5	H×1	
18	KC 2 5 0 4 8 2	Barrel bed cover push spring	H×1	
19	HS 2 1 0 0 3 0	Barrel bed cover	H×1	
20	A 9 0 1 2 0 2 7	Butterfly nut (TH-TM-72)	H×1	
21		Hex, socket bolt M4×5		
22		Hex, socket bolt M5×6		
23	A 9 0 1 2 0 0 7	Screw (SM11/64 40×10) Cylinder	H×1	
24	KF 2 5 0 9 0 0	Throat set screw (SM11/64 40×7)	H×6	
25		Screw (SM11/64 40×5)		
26		Screw (SM11/64 40×4)		
27		Pan screw M3×6		
28	KL 2 2 0 1 2 0	Oil felt A	H×3	
29		Hex, socket bolt M8×25		
30	HB 3 2 0 0 3 0	Rotating hook shaft connecting bearing housing(middle)	1	
31	A 9 0 1 0 1 0 1	Thrust bearing (WS81104)	1	
32	A 9 0 1 0 1 0 0	Thrust bearing (AXK1104)	1	
33	A 9 0 1 0 1 0 2	Thrust bearing (GS81104)	1	
34	HH 4 8 1 9 7 0	Pulse motor connecting shaft collar	1	
35	HP 3 2 1 7 1 0	Encoder driving gear No.1	1	
36	HP 3 2 1 7 2 0	Encoder driving gear No.2	1	
37	HP 3 3 1 9 2 2	Encoder support	1	
38	KN 5 1 1 0 2 0	Position corder (for machine 051)	1	
39		Hex, socket set screw M5×6		
40		Hex, socket bolt M5×18		
41		Hex, socket set screw M4×18		
42		Hex, socket set screw M4×8		
43	A 9 0 1 4 0 5 9	Grommet MG (MG-1)	H×1	

Barudan

⑤ Take up lever a'ssy I

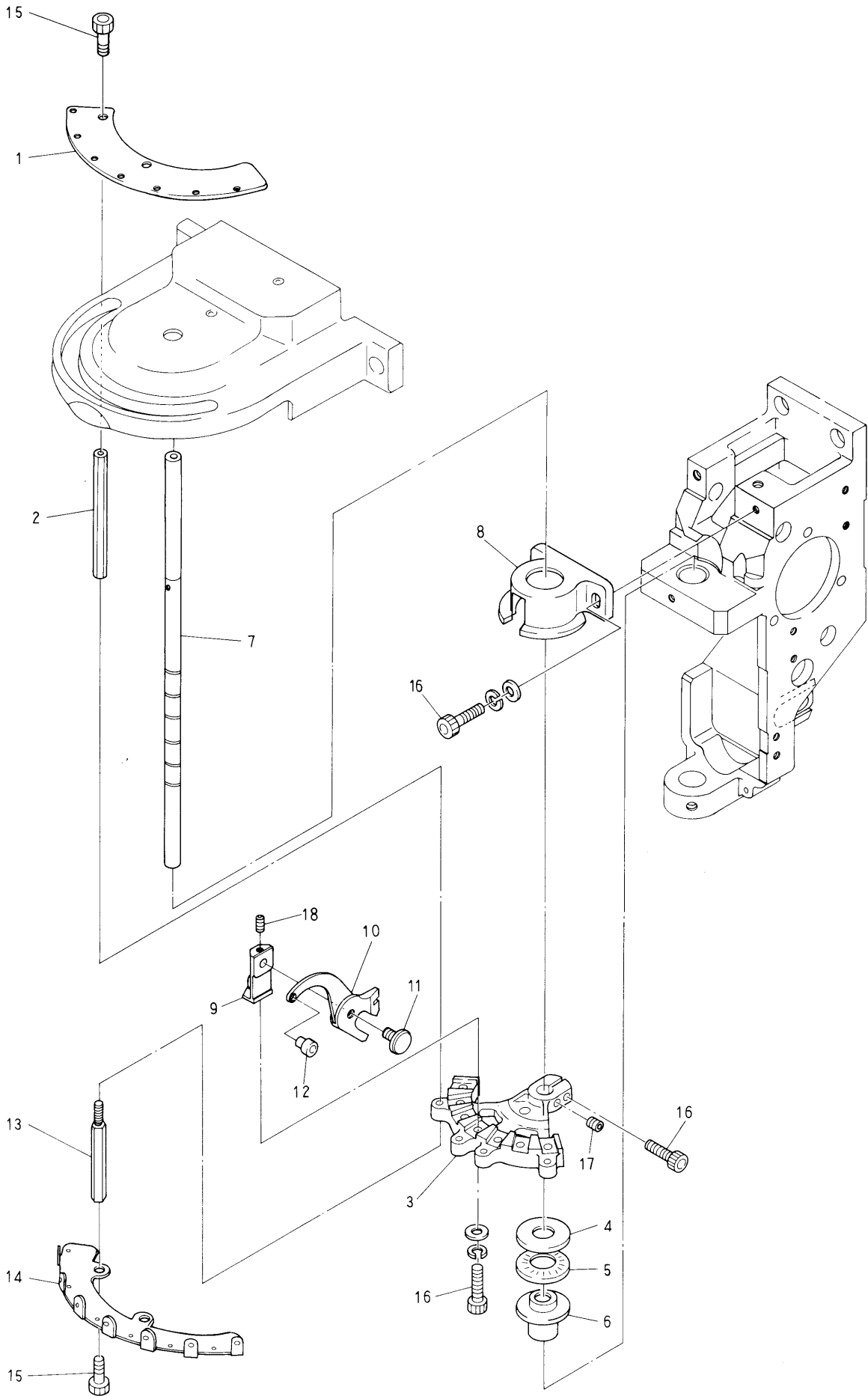


From the library of: Diamond Needle Corp

MODEL **BEMRHE-YS**
BEMSHE-YS

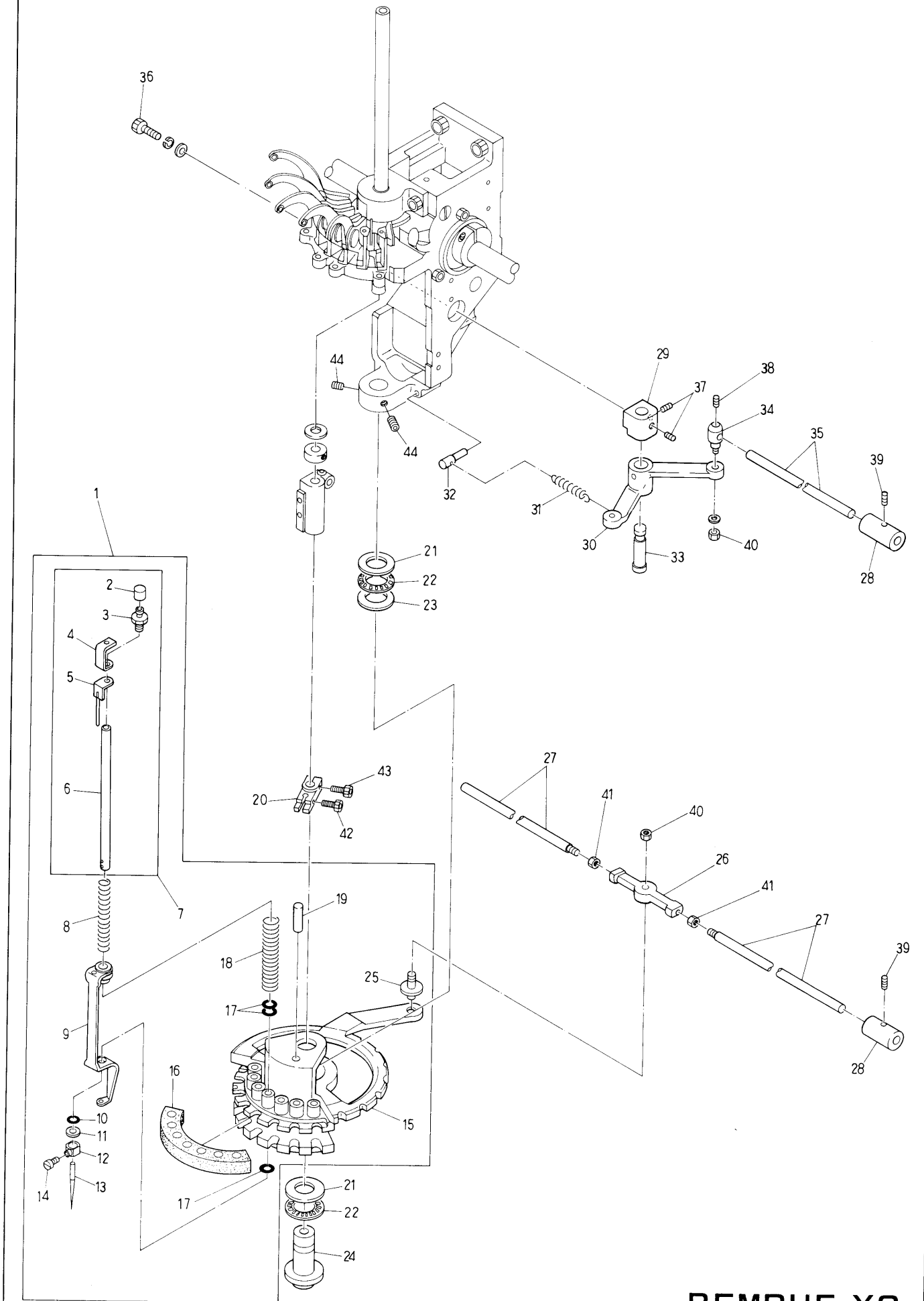
Barudan

⑥ Take up lever a'ssy II



From the library of: Diamond Needle Corp

MODEL **BEMRHE-YS**
BEMSHE-YS

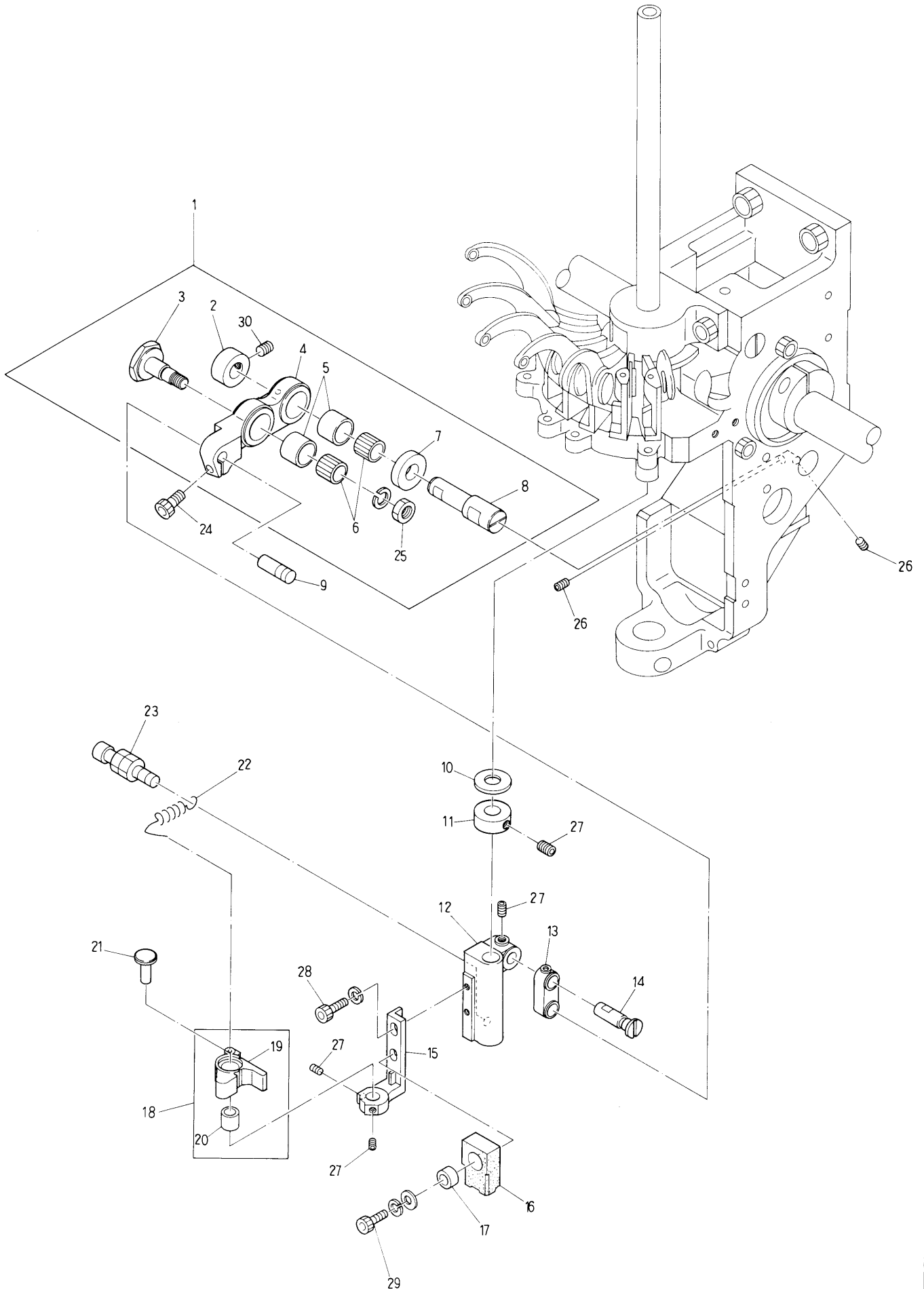


From the library of: Diamond Needle Corp

⑦ Needle bar a'ssy I

(H=Head Q'TY)

ITEM	LIST No.	DESCRIPTION	Q'TY	REMARK
1	HB230601	Turret plate a'ssy (YS)	H×1	
2	KN231350	Needle bar cap	H×7	
3	HB230531	Needle bar guide fixing screw	H×7	
4	HB230770	Plate	H×7	
5	HB230780	Needle bar guide	H×7	
6	HB230512	Needle bar	H×7	
7	HB230502	Needle bar a'ssy	H×7	
8	HB230542	Needle bar spring (Upper)	H×7	
9	KG230020	Pressure foot	H×7	
10	KF230920	O-Ring (Large)	H×7	
11	KF230930	Washer	H×7	
12	KF230230	Needle clamp	H×7	
13	KF230250	Needle (DBK5-11)	H×7	
14	KF230240	Needle clamp screw (SM9/64)	H×7	
15	HB230431	Turret plate (US)	H×1	
16	KL230111	Turret plate oil pad	H×1	
17	KF230910	O-Ring (Small)	H×21	
18	HB230720	Needle bar spring (Lower)	H×7	
19	A9012291	Parallel pin $\phi 5 \times 14 \ell$	H×1	
20	HB230170	Driving shaft fixing plate	H×1	
21	A9011023	Thrust bearing outer (GS1528)	H×2	
22	A9011021	Thrust bearing (NTB-1528)	H×2	
23	A9011022	Thrust washer (AS-1528)	H×1	
24	HB230140	Driving shaft lower metal	H×1	
25	HB230550	Turret plate joint pin	H×1	
26	A9012003	Uniball joint (RD4-020L)	1	Final head
	A9012005	Uniball joint (RD4-020N)	H×1-1	
27	KC330310520	Turret plate connecting rod (L=470)	H-1	
28	KF330381	Lock bar hand grip	2	
29	HB230180	Lock lever bracket	H×1	
30	KL230280	Lock lever	H×1	
31	KF230661	Lock lever spring	H×1	
32	KF230670	Lock lever spring pin	H×1	
33	HB230190	Lock lever shaft	H×1	
34	KF230640	Lock connecting bar clamp	H×1	
35	KC330410	Lock connecting rod (2M)	3	
36		Hex, socket bolt M8×18		
37		Hex, socket set screw M6×5		
38		Hex, socket set screw M4×6		
39		Hex, socket set screw M5×5		
40		Hex, nut M4		
41		Hex, nut M5		
42		Hex, socket bolt M3×12 (with adhesion)	H×1	
43		Hex, socket bolt M4×12 (with adhesion)	H×1	
44	A9012053	Hex, socket set screw M6×0.75×8	H×2	



From the library of: Diamond Needle Corp

⑧Needle bar a'ssy II

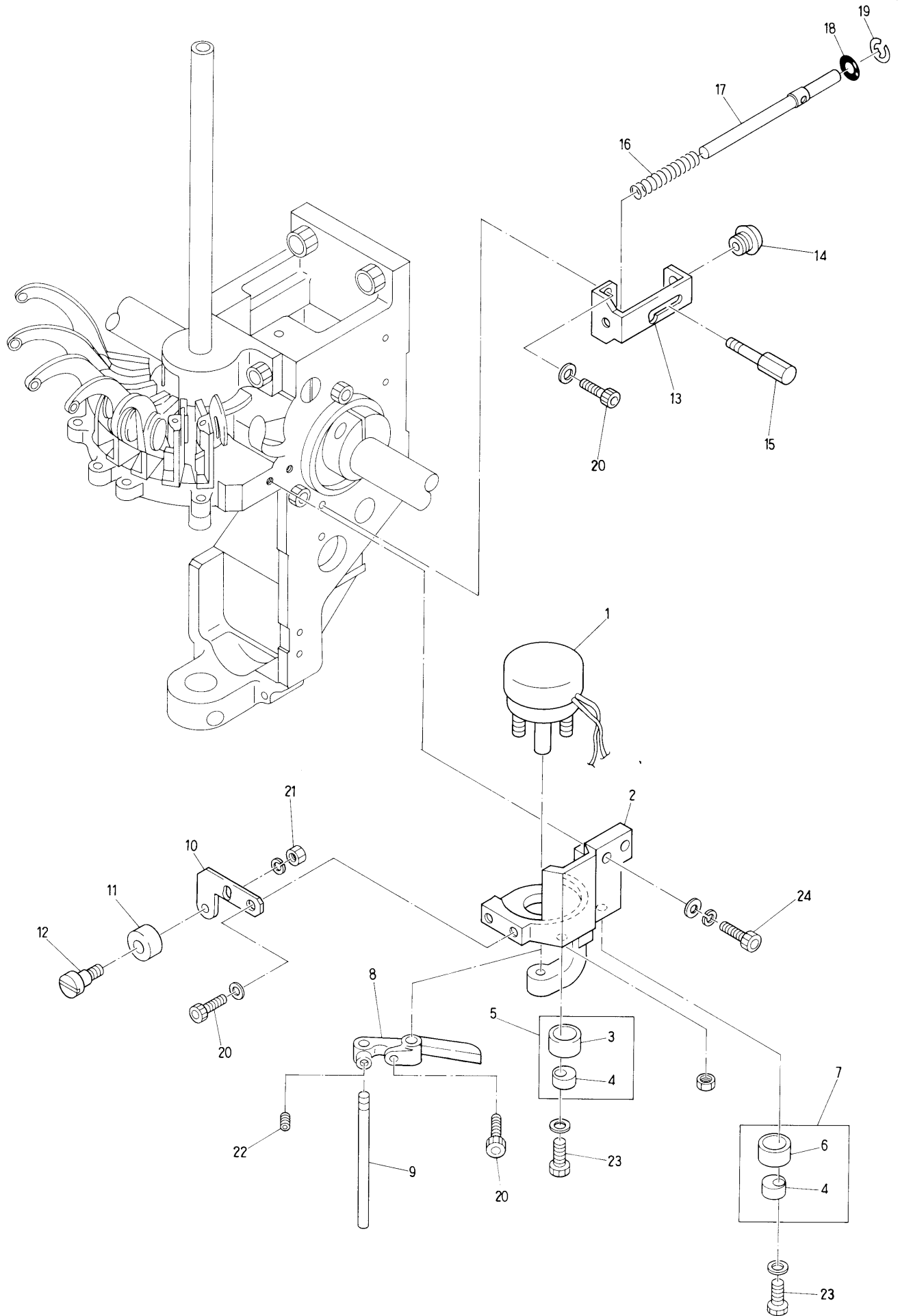
(H=Head Q'TY)

ITEM	LIST No.	DESCRIPTION	Q'TY	REMARK
1	HB230701	Needle bar drive lever a'ssy	H×1	
2	HB230271	Needle bar drive lever fixed pin set collar	H×1	
3	HB230261	Needle bar drive lever connecting pin	H×1	
4	HB230241	Needle bar driving lever	H×1	
5	HB230350	Out side collar (OR11×14×10×2P×2)	H×2	
6	HB230360	Needle rollar (8Q-K8×11×10)	H×2	
7	HB230281	Needle bar driving lever fixed pin collar	H×1	
8	HB230251	Needle bar driving lever fixed pin	H×1	
9	HB230220	Needle bar driving pin (B)	H×1	
10	A9012164	Thrust washer (R-TW0815)	H×1	
11	HB230160	Driving shaft set collar	H×1	
12	HB230231	Needle bar driving block	H×1	
13	HB230200	Needle bar driving link	H×1	
14	HB230210	Needle bar driving pin (A)	H×1	
15	HB230372	Needle bar driver fixing base	H×1	
16	HB230414	Needle bar driver stopper	H×1	
17	HB230420	Needle bar driver stopper set collar	H×1	
18	HB230571	Needle bar driver a'ssy	H×1	
19	HB230382	Needle bar driver	H×1	
20	A9012190	DU Bush (MB0606DU)	H×1	
21	HB230390	Needle bar driver fixed pin	H×1	
22	HB230401	Needle bar spring	H×1	
23	HB230590	Screw for return spring	H×1	
24		Hex, socket bolt M4×12 (with adhesion)	H×1	
25		Hex, nut M6		
26		Hex, socket set screw M5×10		
27		Hex, socket set screw M4×4 (with adhesion)	H×4	
28		Hex, socket bolt M4×10		
29		Hex, socket bolt M4×18		
30		Hex, socket set screw M5×5		

From the library of: Diamond Needle Corp

Barudan

⑨ Jump a' ssy



From the library of: Diamond Needle Corp

MODEL **BEMRHE-YS**
BEMSHE-YS

⑨ Jump a' ssy

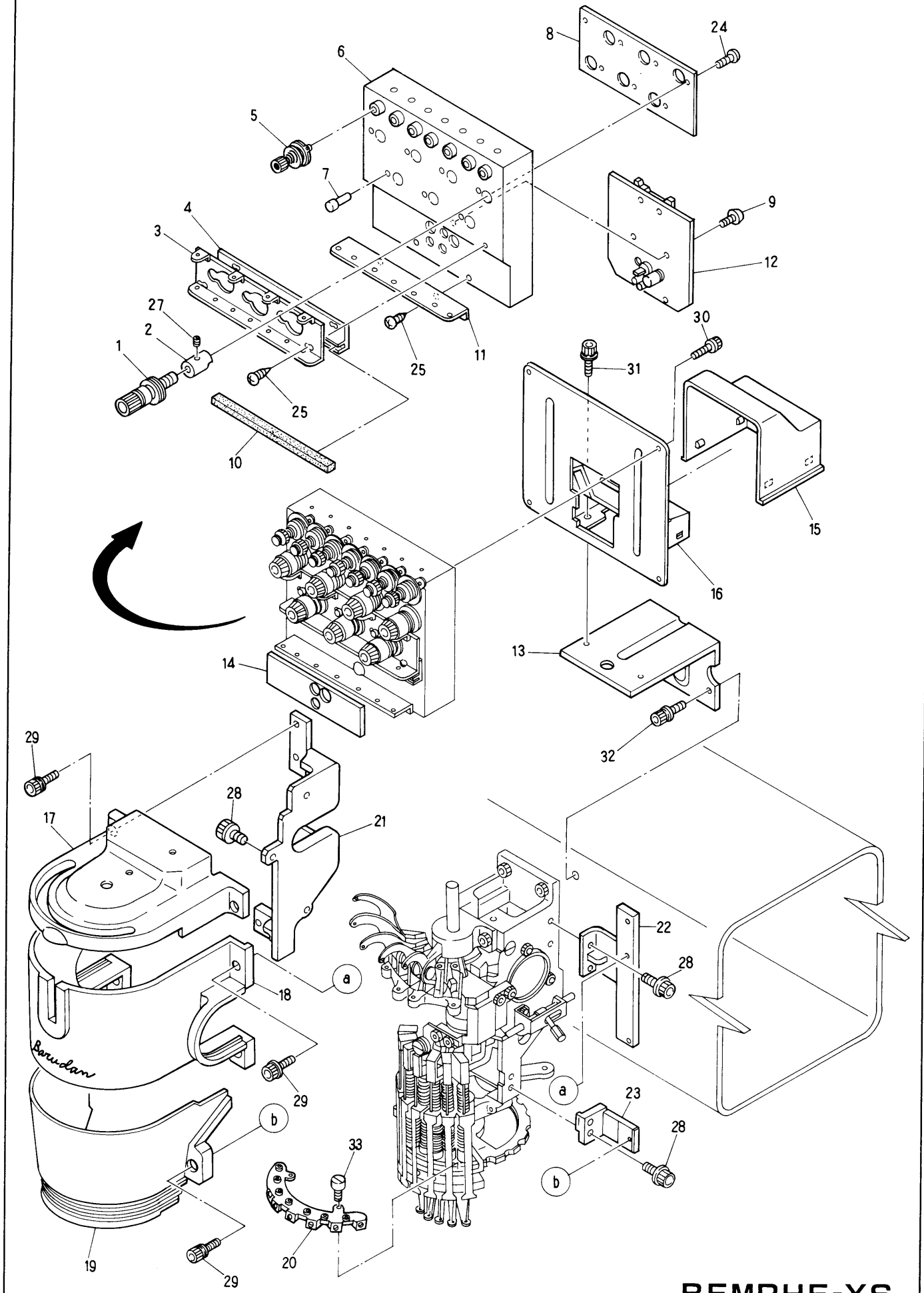
(H=Head Q' TY)

ITEM	LIST No.	DESCRIPTION	Q'TY	REMARK
1	A 9 0 5 6 0 2 0	Rotary solenoid (3ER35-35×3×8×9 L=45)	H×1	
2	HB 2 4 0 0 1 1	Jump solenoid fixing bracket	H×1	
3	HB 2 4 0 0 5 0	Eccentric collar (φ11)	H×1	
4	HB 2 4 0 0 4 0	Stopper eccentric	H×2	
5	HB 2 4 0 3 3 0	Stopper eccentric a' ssy (φ11)	H×1	
6	HB 2 4 0 3 1 0	Eccentric collar (φ12)	H×1	
7	HB 2 4 0 3 4 0	Stopper eccentric a' ssy (φ12)	H×1	
8	HB 2 4 0 0 2 0	Jump solenoid lever	H×1	
9	HB 2 4 0 0 3 0	Jump solenoid lever pin	H×1	
10	HB 2 3 0 4 5 0	Needle bar stopper fixing bracket	H×1	
11	HB 2 3 0 4 7 0	Needle bar stopper	H×1	
12	HB 2 3 0 4 6 0	Needle bar stopper fixing pin	H×1	
13	HB 2 4 0 0 6 0	Cancel bracket	H×1	
14	HB 2 4 0 0 9 0	Cancel rod guide	H×1	
15	HB 2 4 0 0 8 0	Manual cancel pin	H×1	
16	HB 2 4 0 1 1 0	Cancel return spring	H×1	
17	HB 2 4 0 0 7 0	Cancel rod	H×1	
18	A 9 0 1 4 0 5 1	O-Ring (P-5)	H×1	
19	A 9 0 1 2 0 5 1	E-Ring φ6	H×1	
20		Hex, socket bolt M4×8		
21		Hex, nut M4		
22		Hex, socket set screw M4×4 (with adhesion)	H×1	
23		Hex, socket bolt M4×12 (with adhesion)	H×2	
24		Hex, socket bolt M5×18		

From the library of: Diamond Needle Corp

Barudan

⑩ Thread guide mechanism



From the library of: Diamond Needle Corp

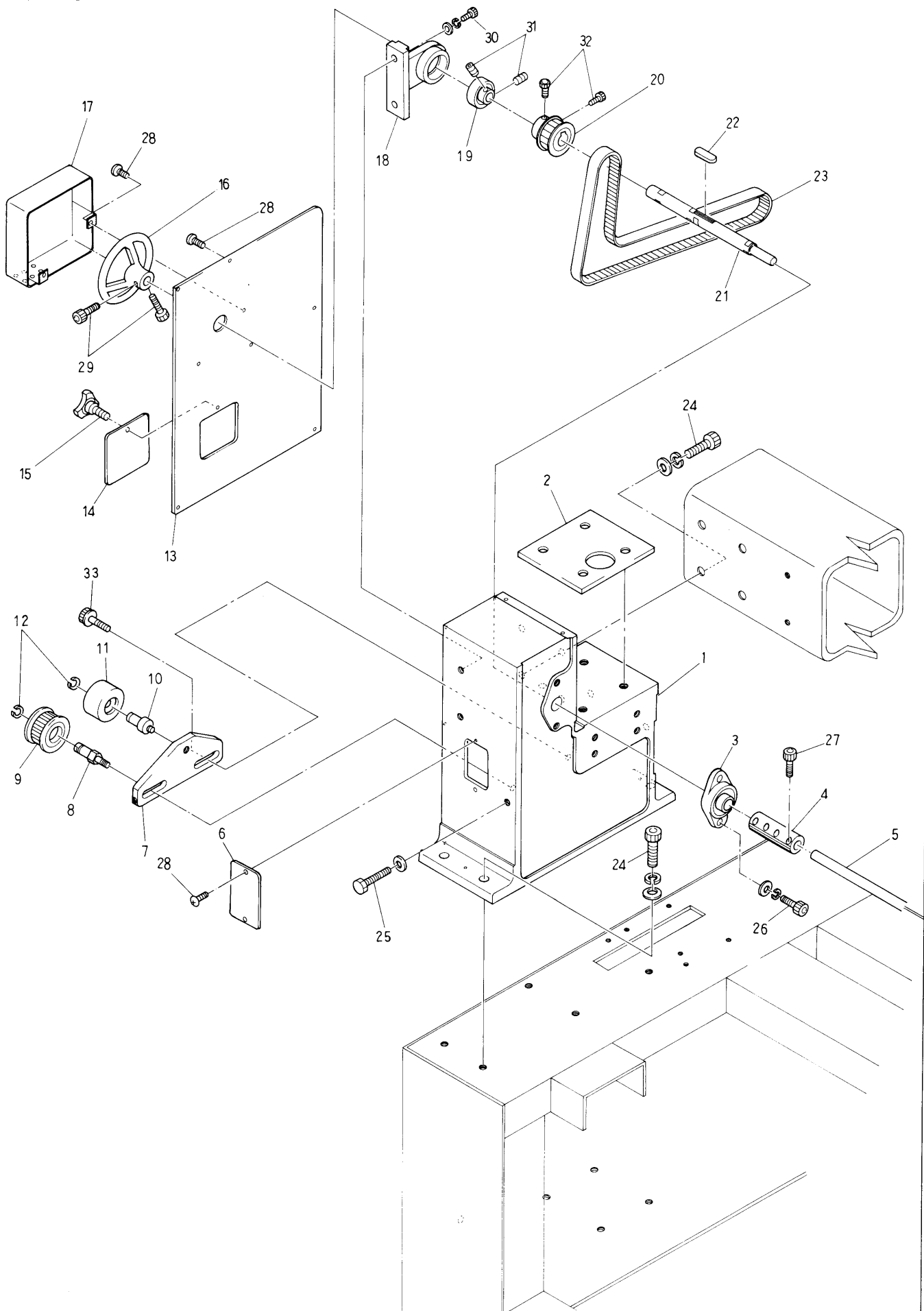
MODEL BEMRHE-YS
BEMSHE-YS

⑩ Thread guide mechanism

(H=Head Q' TY)

ITEM	LIST No.	DESCRIPTION	Q' TY	REMARK
1	HP 2 4 1 4 1 0	Dial type tension unit complete	H × 7	
2	HP 2 4 1 1 5 0	Tension base (with screw)	H × 7	
3	HP 2 4 1 1 8 0	First thread guide (7)	H × 1	
4	HP 2 4 1 4 6 0	Thread guide felt fixing plate (7)	H × 1	
	HP 2 4 1 4 5 0	Thread guide felt fixing plate (5)	H × 1	
5	HP 2 4 1 4 4 0	Upper tension unit complete (D=13.5)	H × 7	
6	HP 2 4 1 1 2 2	Tension base (7)	H × 1	HP241160, HP241150
7	HP 2 4 1 1 6 0	Upper thread detection pin	H × 7	
8	HP 2 4 1 3 8 1	Tension earth plate (7)	H × 1	
9		Tapping screw 2×8		
1 0	HP 2 4 1 4 8 0	Thread guide felt (7)	H × 1	
1 1	HB 2 4 0 2 6 0	Second thread guide plate (7)	H × 1	
1 2	EBY 0 1 0 7 0	4613 Head board	H × 1	
1 3	HB 2 4 0 3 0 0	Tension base bracket	H × 1	
1 4	KU 2 4 1 4 0 0	Tension base label	H × 1	
1 5	KB 2 4 0 1 0 0	Tension cable cover	H × 1	
1 6	KB 2 4 0 0 6 0	Tension base (7)	H × 1	
1 7	HB 2 4 0 2 0 0	Sewing head cover (A)	H × 1	
1 8	HB 2 4 0 2 1 0	Sewing head cover (B)	H × 1	
1 9	HB 2 4 0 2 2 0	Sewing head cover (C)	H × 1	
2 0	KG 2 5 0 0 1 0	Thread end trap unit a'ssy (7)	H × 1	
2 1	HB 2 4 0 2 3 1	Sewing head fixing bracket (A)	H × 1	
2 2	HB 2 4 0 2 4 1	Sewing head fixing bracket (B)	H × 1	
2 3	HB 2 4 0 2 5 0	Sewing head fixing bracket (C)	H × 1	
2 4		Pan screw M3×4		
2 5		Truss screw M4×6		
2 6		Tapping screw M3.5×8		
2 7		Set screw (SM11/64 40×5.5)		
2 8		Hex, socket flange bolt M4×12		
2 9		Hex, socket bolt with washer M4×6		
3 0		Pan screw with washer M4×8		
3 1		Hex, socket bolt M5×10 With washer (with adhesion)	H × 2	
3 2		Hex, socket flange bolt M6×20 (with adhesion)	H × 2	
3 3		Screw (SM9/64 40×10)		

From the library of: Diamond Needle Corp



From the library of: Diamond Needle Corp

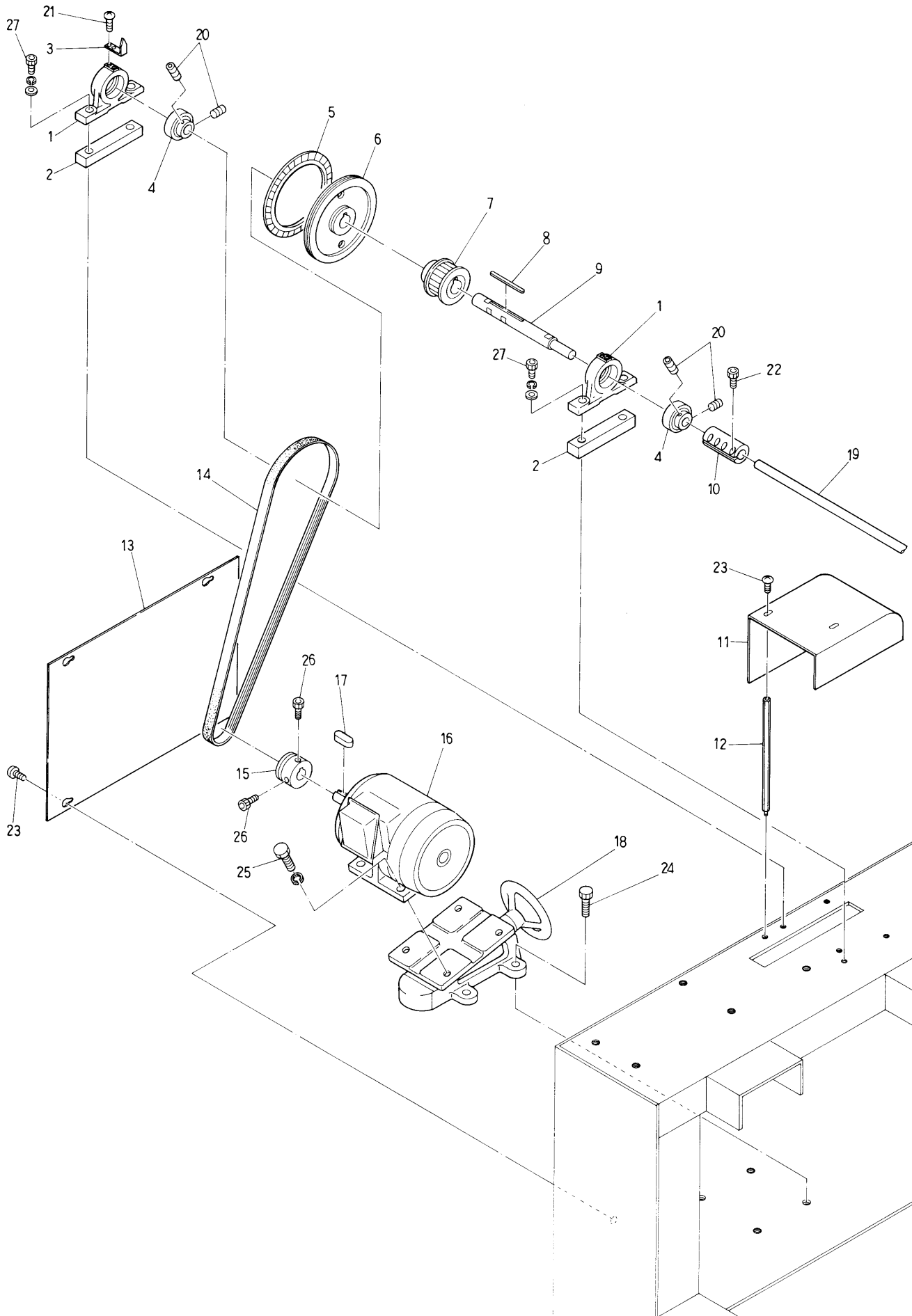
⑪ Drive assembly

ITEM	LIST No.	DESCRIPTION	QTY	REMARK
1	HS 3 1 0 0 5 0	Gear box (L) (MSHE-YS)	1	
2	HB 1 3 0 0 2 0	Bridge fixing spacer T=1	1	
	HB 1 3 0 0 3 0	Bridge fixing spacer T=0.5	1	
3	A 9 0 1 1 0 3 5	Bearing unit UCFL 204	1	
4	HH 3 2 0 5 5 0	Upper shaft connecting coupling	1	
5	KC 3 2 0 8 2 0	Connecting shaft φ15	1	
6	HB 3 1 0 1 6 0	Gear box front cover	1	
7	HS 3 1 0 0 2 0	Idler base (BEMSHE-YS)	1	
8	HS 3 1 0 0 3 0	Idler shaft (BEMSHE-YS)	1	
9	HS 3 1 0 0 1 0	Idler timing pulley (BEMSHE-YS)	1	
10	HP 3 1 0 1 5 0	Idler shaft	1	
11	HB 3 1 0 0 8 0	Idler pulley φ65	1	
12	A 9 0 1 2 0 6 8	C-Ring (For shaft φ15)	2	
13	HB 3 1 0 0 4 0	Gear box cover (L)	1	
	HS 3 1 0 1 0 0	Gear box cover (L)	1	MSHE-12, 450×520
14	HB 3 1 0 1 7 0	Gear box cover (L) service cover	1	
15	A 9 0 1 2 1 6 6	Knob bolt (KT-B) M5×10	1	
16	HB 3 1 0 2 0 0	Handle PH 140	1	
17	HB 3 1 0 1 9 1	Handle cover	1	
18	HB 3 1 0 1 1 0	Bearing unit (For upper shaft)	1	
19	A 9 0 1 1 0 4 0	Bearing (RB-204)	1	
20	HB 3 1 0 0 7 0	Timing pulley (8M-23)	1	
21	HB 3 1 0 0 5 1	Upper shaft (Gear box L)	1	
22	HB 3 1 0 2 6 0	Key 6×6×30	1	
23	HS 3 1 0 0 6 0	Timing bolt (250-S8N-1440)	1	
24		Hex, socket bolt M12×40		
25		Hex, bolt M5×60		
26		Hex, socket bolt M10×30		
27		Hex, socket bolt M6×20		
28		Truss screw M5×10		
29		Hex, socket bolt M5×10		
30		Hex, socket bolt M10×45		
31		Hex, socket set screw M6×6		
32		Hex, socket bolt M6×15		Key side
		Hex, socket bolt M6×20		
33		Hex, socket flange bolt M8×25		

From the library of: Diamond Needle Corp

Barudan

⑫ Drive a'ssy II

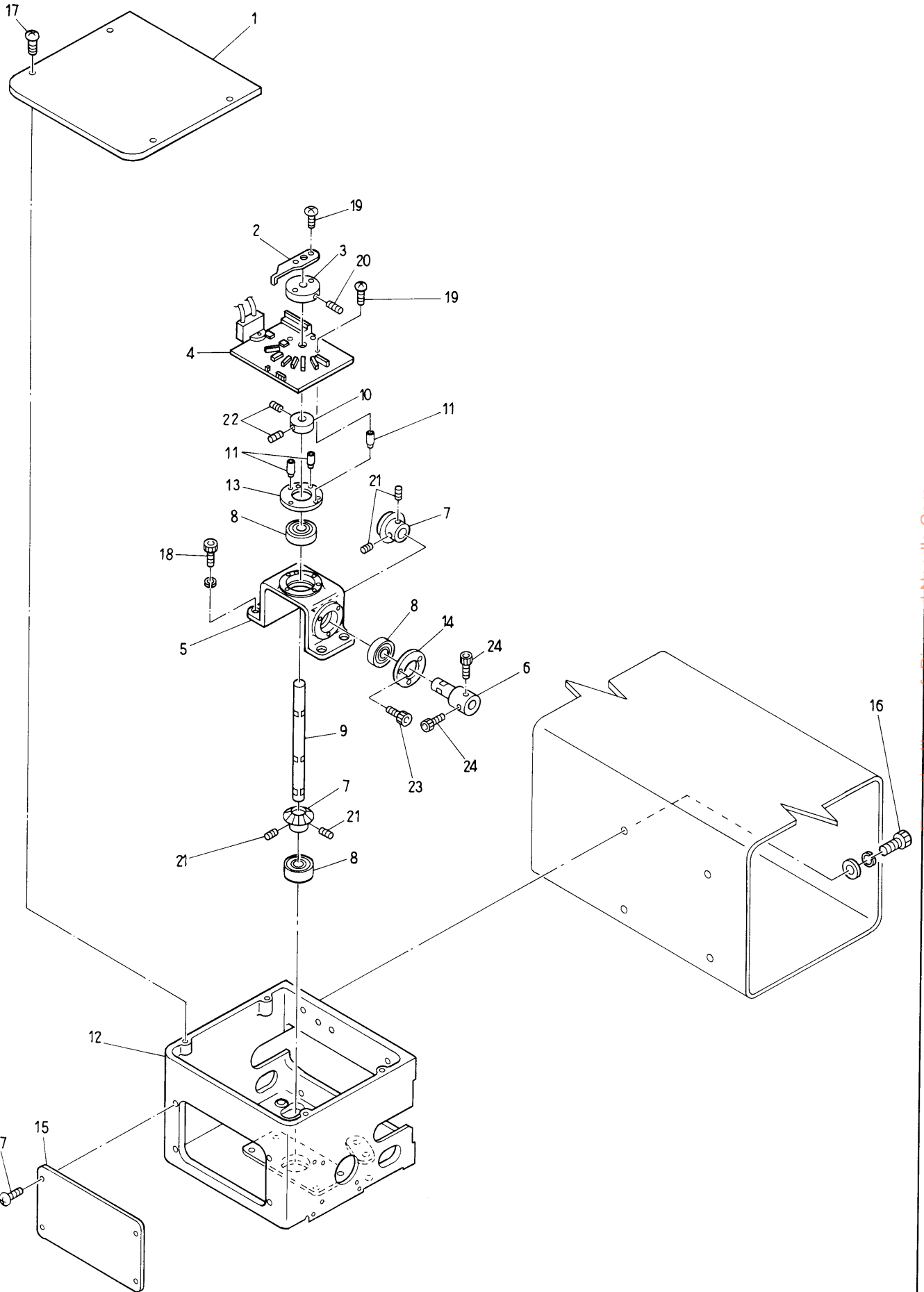


From the library of: Diamond Needle Corp

MODEL **BEMRHE-YS**
BEMSHE-YS

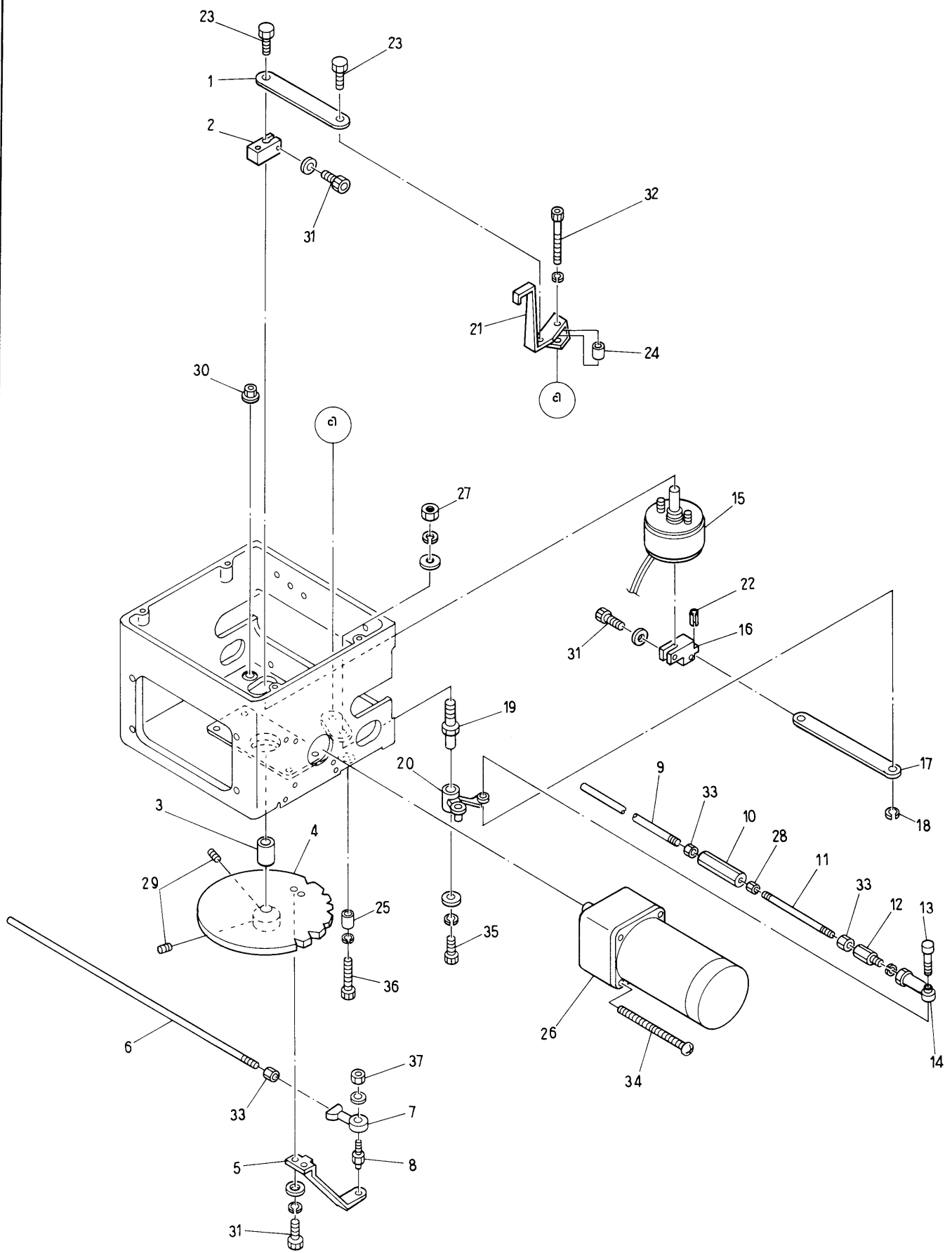
Barudan

⑬ Color change mechanism I



From the library of: Diamond Needle Corp

MODEL **BEMRHE-YS**
BEMSHE-YS



From the library of: Diamond Needle Corp

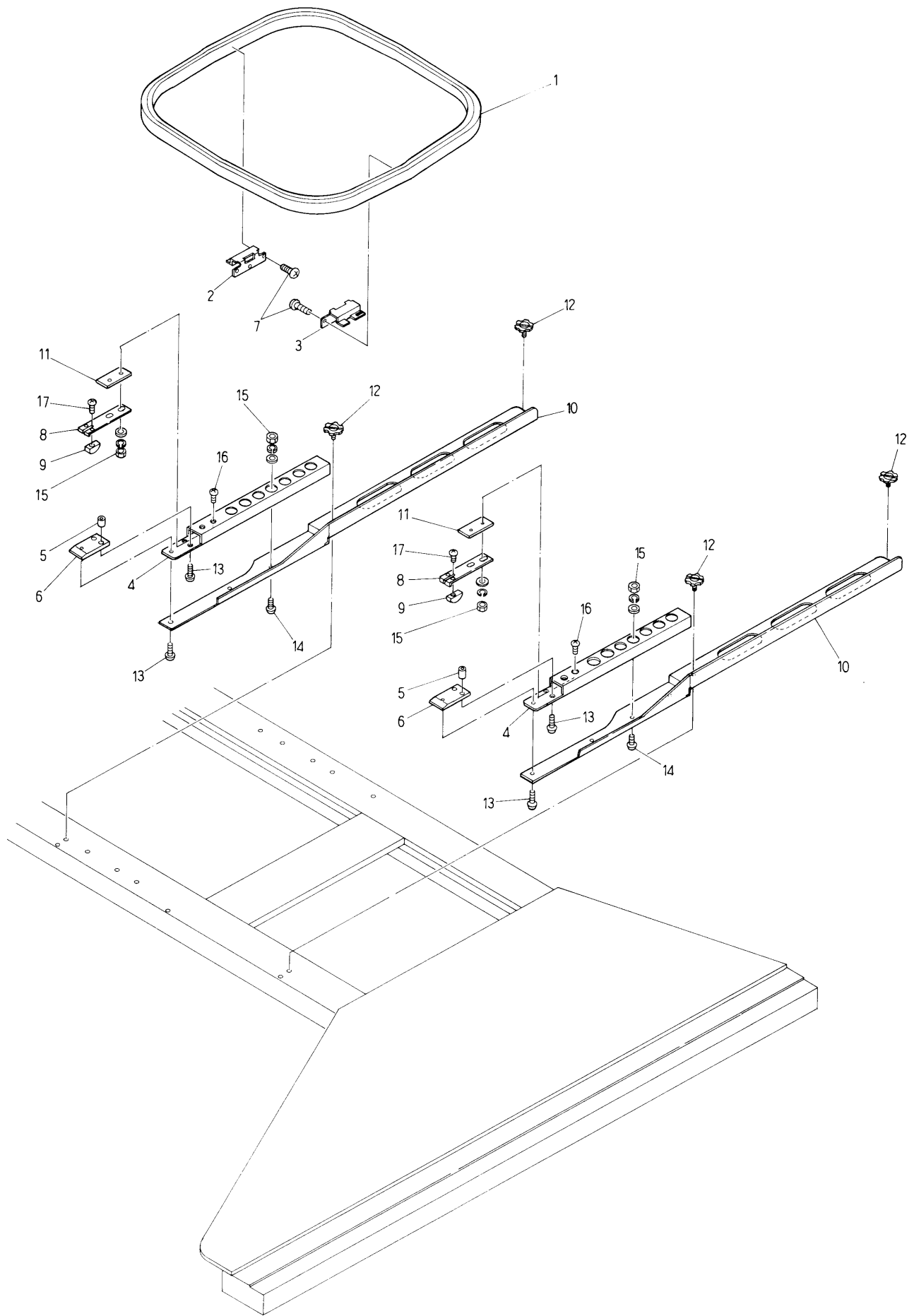
⑭Color change mechanism II

(H=Head Q'TY)

ITEM	LIST No.	DESCRIPTION	Q'TY	REMARK
1	HB330090	Lock confirmation lever (Drive plate)	1	
2	HB330070	Lock confirmation lever (Drive plate)	1	
3	HB330120	Positing collar	1	
4	HB330030	Color change plate	1	
5	HB330040	Color change plate lever	1	
6	KC330310300	Turret plate connecting rod (L=250)	1	
7	A9012001	Uniball joint (RD4020R)	1	
8	HP331660	Joint pin	1	
9	KC330410	Lock connecting rod	2	
10	HH330770	Hex, connecting bar	1	
11	KC330420	Lock connecting rod	1	
12	HP331610	Hex, connecting bar	1	
13	HP331560	Lock lever pin	1	
14	A9012002	Uniball joint (PR-6)	1	
15	A9056011	Rotary solenoid (6SR25-27×3, 4, 9)	1	
16	HB330060	Lock solenoid lever	1	
17	HB330080	Link lock lever	1	
18	A9012055	E-Ring (φ4)	1	
19	KF230630	Lock lever shaft	1	
20	HB330050	Color change lock lever	1	
21	HB330101	Lock confirmation lever	1	
22	A9012143	Spring pin φ6×12	1	
23	HP331700	Lock confirmation lever pin	2	
24	HP331950	Lock confirmation roller	1	
25	HH330670	Eccentric stopper	1	
26	HH330810	Gear motor shaft (RM-F6A5PC1-AS-180AN)	1	
27		Hex, nut M8		
28		Hex, nut M5		
29		Hex, socket set screw M5×6 (with adhesion)	2	
30		Flange nut M5		
31		Hex, socket bolt M5×12		
32		Hex, socket bolt M4×30		
33		Hex, nut M5		
34		Pan screw M4×60		
35		Hex, socket bolt M5×10		
36		Hex, socket bolt M4×22		
37		Hex, nut M4		

Barudan

⑮ Pantograph drive mechanism I (V·H-Direction)

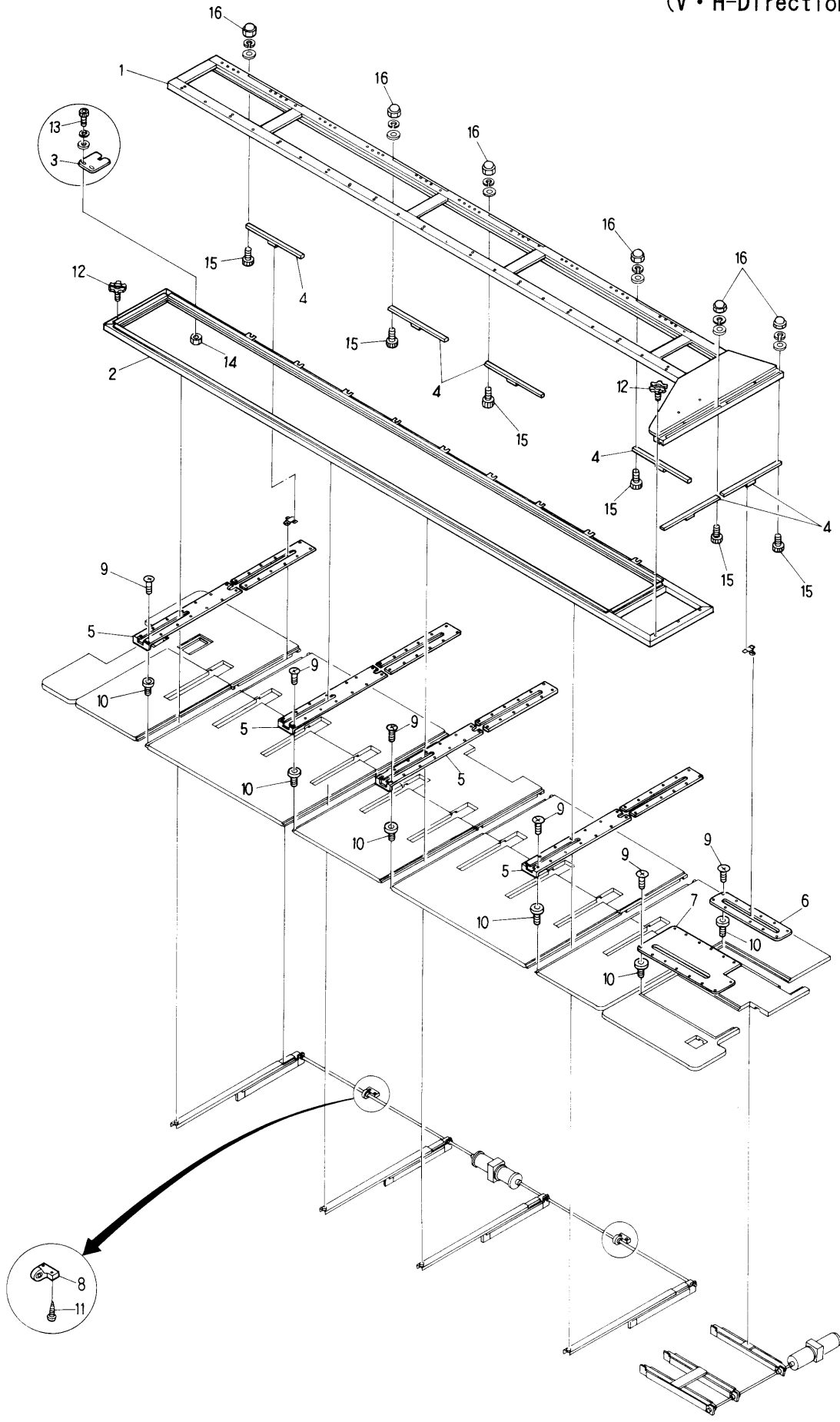


From the library of: Diamond Needle Corp

MODEL BEMRHE-YS
BEMSHE-YS

Barudan

⑩ Pantograph drive mechanism II
(V · H-Direction) <YS-10>

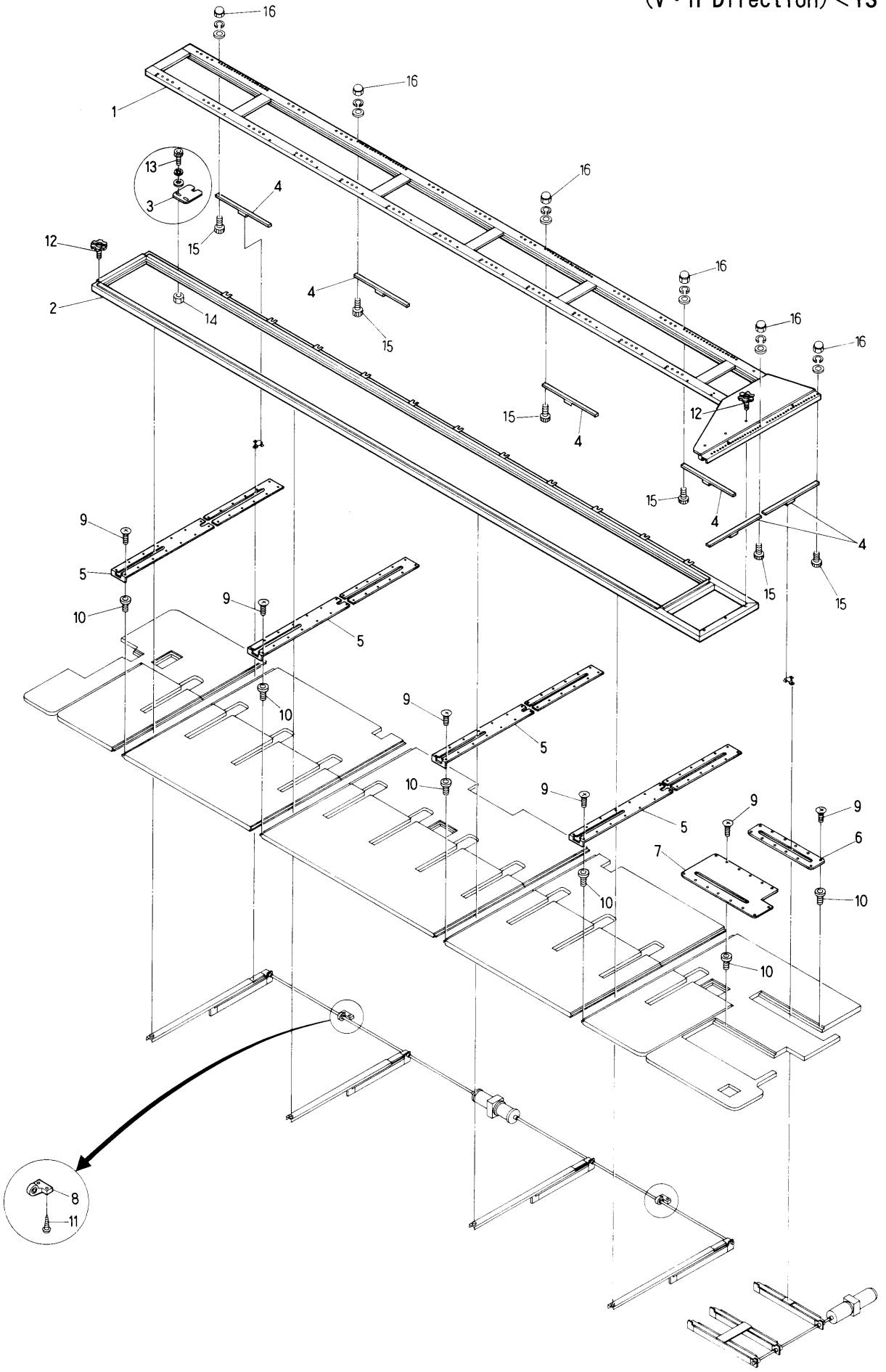


From the library of: Diamond Needle Corp

MODEL **BEMRHE-YS**
BEMSHE-YS

Barudan

⑩⑥ Pantograph drive mechanism II
(V · H-Direction) <YS-12>

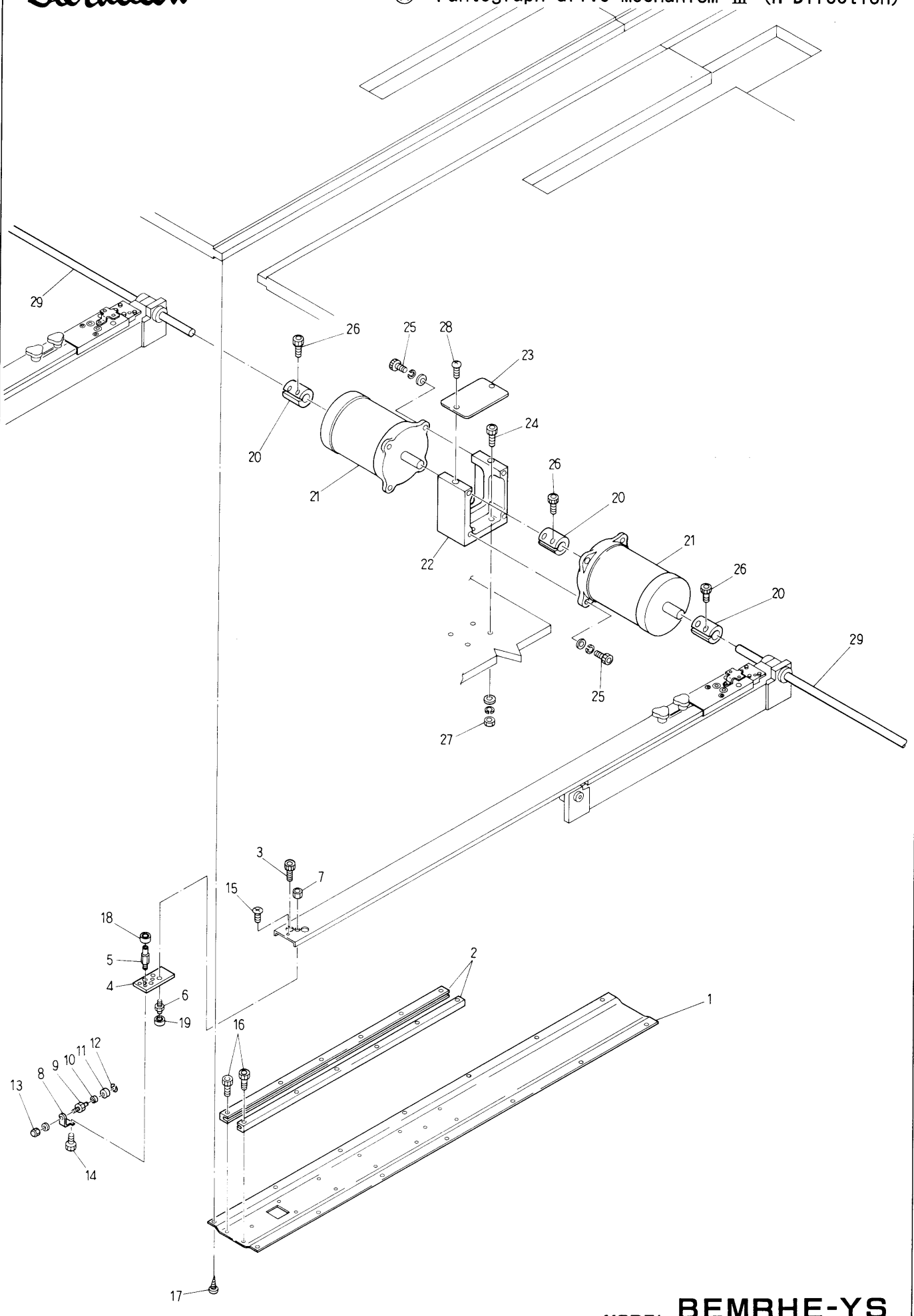


From the library of: Diamond Needle Corp

MODEL **BEMRHE-YS**
BEMSHE-YS

Barudan

⑰ Pantograph drive mechanism III (H-Direction)



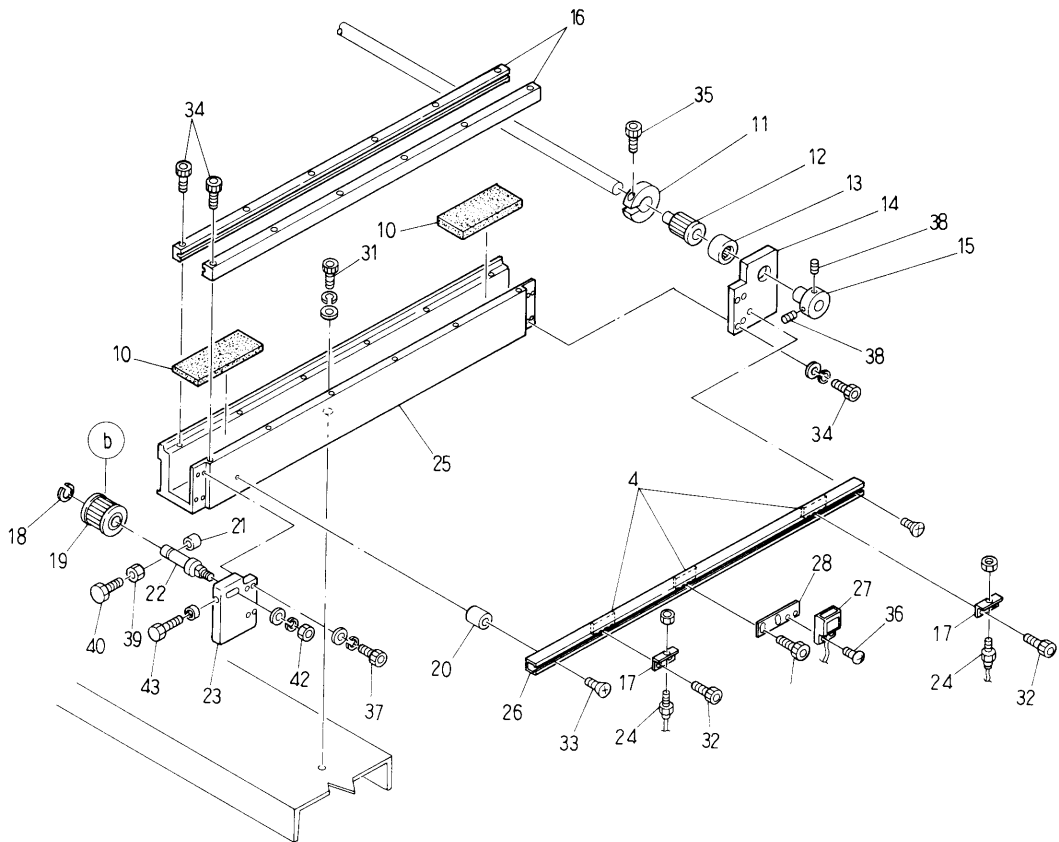
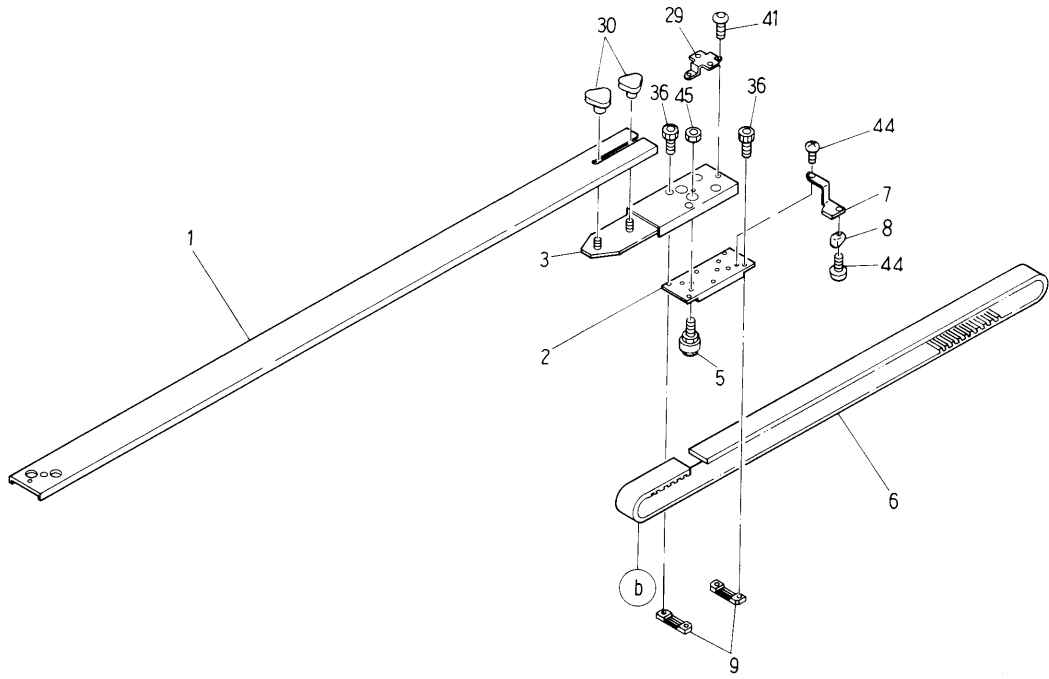
From the library of: Diamond Needle Corp

MODEL **BEMRHE-YS**
BEMSHE-YS

⑰ Pantograph drive mechanism III (H-Direction)

ITEM	LIST No.	DESCRIPTION	QTY	REMARK
1	HS 4 8 0 0 7 2	H-Guide rail base (Stroke 450)	4	
2	HP 4 8 2 9 1 0	H-Guide rail (L=1060)	8	
3		Hex, socket bolt M4×8		
4	HP 4 8 2 8 8 0	H-Roller base (Front)	4	
5	HS 4 8 0 0 3 0	Slide bearing pin (BEMSHE)	4	
6	HS 4 8 0 0 4 0	Roller pin F (BEMSHE)	1 2	
7		Hex, nut M5		
8	HP 4 6 0 1 2 1	H-Pantograph stop plate (Front)	4	
9	HP 4 6 0 1 7 0	Pantograph stop pin	4	
10	A 9 0 1 2 1 2 6	KB bush (KBB-0406-D)	4	
11	HP 4 6 0 1 6 0	Pantograph stop collar	4	
12	A 9 0 1 2 1 2 7	E-Ring (φ3)	4	
13		Cap nut M4		
14		Hex, socket bolt M4×10		
15		Flush screw M4×8		
16		Hex, socket bolt M4×15		
17		Flush wood screw 5.1×25		
18	HS 4 6 0 1 3 0	Slide bearing (H Front)	4	
19	HP 4 8 2 8 4 0	Roller 606ZZ	1 2	
20	HH 4 8 1 9 3 1	Pulse motor coupling	3	
21	HH 4 8 1 9 0 0	Pulse motor (4M)	2	
22	HH 4 8 1 9 1 1	H-Pulse motor bracket	1	
23	HH 4 8 1 9 4 0	Pulse motor bracket cover	1	MSHE-12 450×520
24		Hex, socket bolt M8×30		
25		Hex, socket bolt M6×25		
26		Hex, socket bolt M5×18		
27		Hex, nut M8		
28		Truss screw M8×12		
29		H-Pulse motor coupling shaft	2	

From the library of: Diamond Needle Corp



From the library of: Diamond Needle Corp

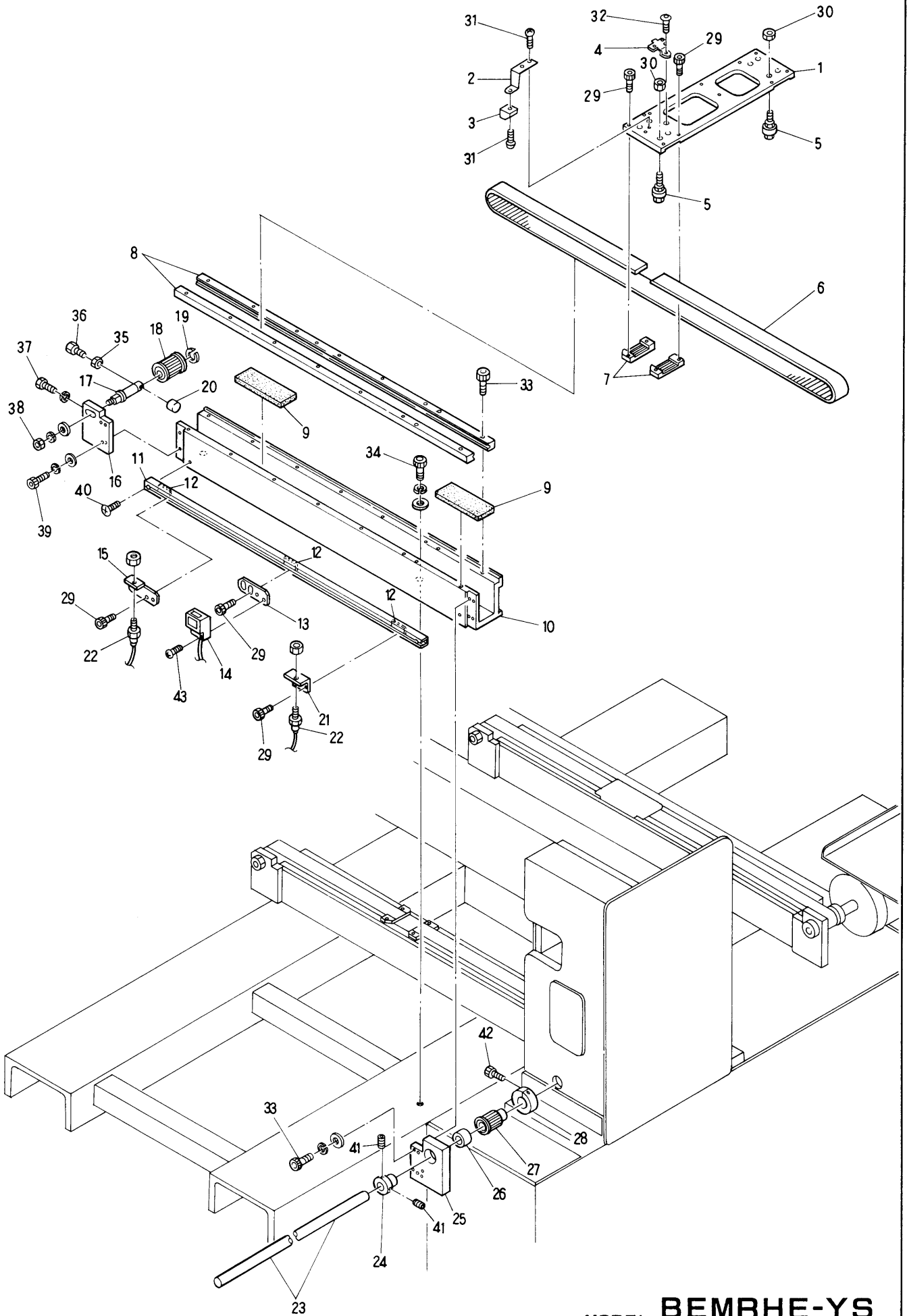
⑱ Pantograph drive mechanism IV (H-Direction)

ITEM	LIST No.	DESCRIPTION	Q'TY	REMARK
1	HS 4 8 0 0 5 1	H-Member connections channel (Front)(Stroke 450)	4	
2	HS 4 8 0 0 0 0	H-Roller base (Rear)(BEMSHE)	4	
3	HS 4 8 0 0 6 1	H-Member connections channel (BEMSHE-YS)	4	
4	KU 4 6 0 2 7 0	Plate nut (M3)	3	
5	HP 4 8 2 9 5 0	Roller pin a'ssy A	16	
6	A 9 0 2 0 0 9 8	Timing belt (300S5M2000)	4	
7	HP 4 5 1 0 8 0	H-Pantograph magnet bracket	1	
8	A 9 0 5 2 0 3 0	Magnet (M-102A-02)	1	
9	HP 4 8 2 9 4 0	Timing belt rack (5M)	8	
10	KN 4 8 0 0 6 1	Rail base felt (100×38×6)	8	
11	HH 4 8 1 9 8 0	Clamping φ19	4	
12	HP 4 8 2 9 9 0	Pantograph driving pulley (Rear)(S5M)	4	
13	A 9 0 1 1 0 6 3	Needle bearing (TLA2016)	4	
14	HH 4 8 2 0 1 1	H-Guide rear pulley bracket	4	
15	HH 4 8 1 9 7 0	Pulse motor connecting shaft collar	4	
16	HP 4 8 2 9 1 0	V-Guide rail (L=1060)	8	
17	MT 4 6 0 2 4 0	RS-001 Bracket	2	
18	A 9 0 1 2 0 5 2	E-Ring (φ10)	4	
19	HP 4 8 2 9 8 0	Pantograph driving pulley (Front)(S5M)	4	
20	A 9 0 1 2 2 1 9	Spacer 8×7	1	
21	HH 4 8 2 1 1 0	Pulley shaft bolt cap	4	
22	HH 4 8 1 9 9 1	Timing pulley shaft	4	
23	HS 4 8 0 2 8 0	H-Guide front pulley bracket (BEMSHE)	4	
24	A 9 0 5 2 0 2 4	Switch (RS-001)	2	
25	HS 4 8 0 0 9 0	H-Guide rail base (Stroke 450)	4	
26	HP 4 5 1 1 1 G 4 5	H-Origin rail (Stroke 450)	1	
27	A 9 0 5 2 0 3 1	Magnet proximity switch (MH-601A)	1	
28	KN 4 5 0 3 0 0	Proximity switch (MH-601A) fixing bracket	1	
29	HS 4 6 0 0 9 0	H-pantograph driving rail fixing bracket	4	
30	A 9 0 1 2 2 3 8	Knob nut KT-N M5	8	
31		Hex, socket bolt M8×25		
32		Hex, socket bolt M3×8		
33		Flush screw M4×6		
34		Hex, socket bolt M4×15		
35		Hex, socket bolt M5×18		
36		Hex, socket bolt M4×6		
37		Hex, socket bolt M4×18		
38		Hex, socket set screw M5×8		
39		Hex, nut M4		
40		Hex, bolt M4×40		
41		Hex, socket button bolt M4×6		
42		Hex, nut M8		
43		Hex, bolt M4×25		
44		Truss screw M3×6		
45		Hex, nut M5		

From the library of: Diamond Needle Corp

Barudan

①9 Pantograph drive mechanism V (V-Direction)



From the library of: Diamond Needle Corp

MODEL BEMRHE-YS
BEMSHE-YS

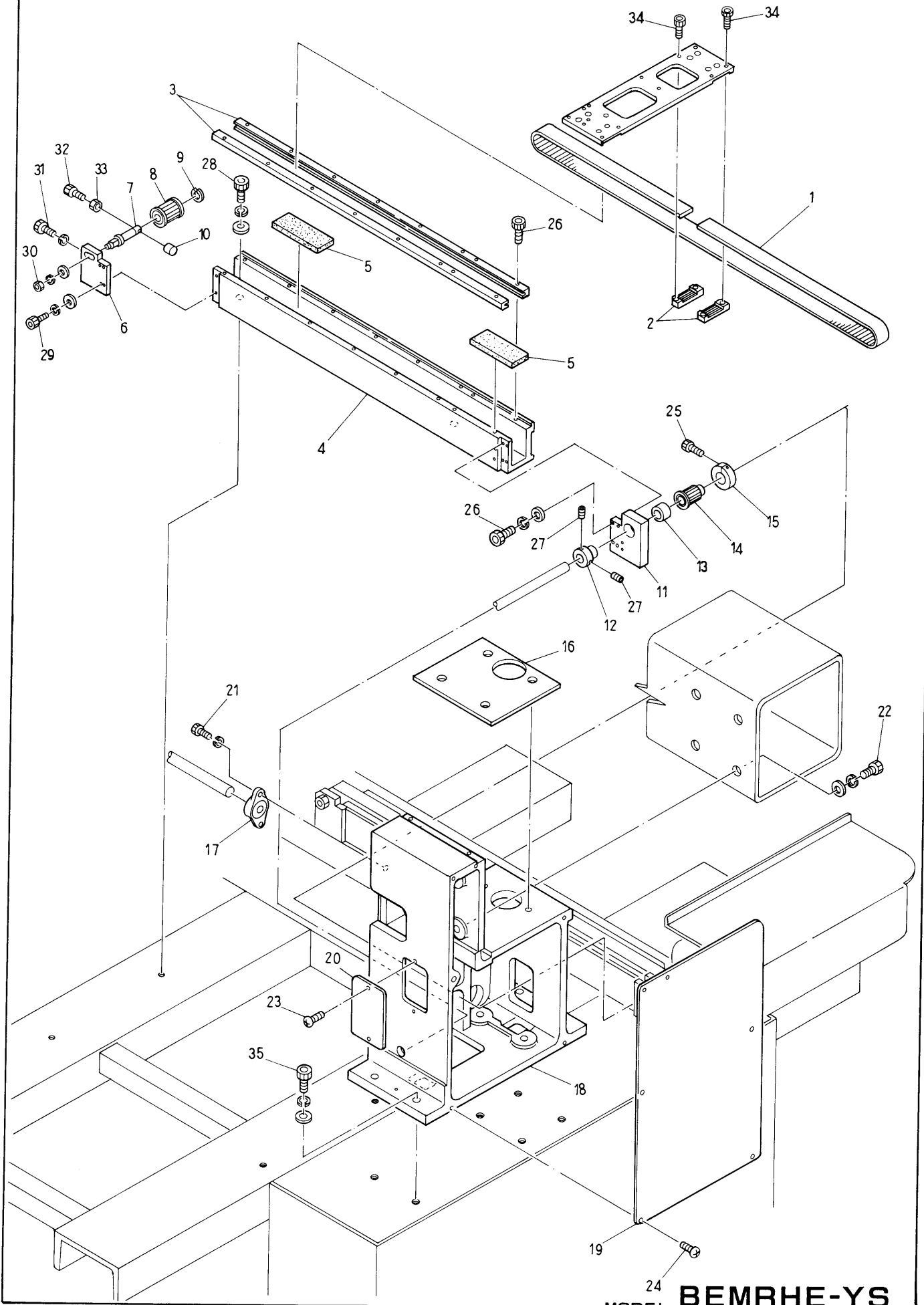
⑱ Pantograph drive mechanism V (V-Direction)

ITEM	LIST No	DESCRIPTION	QTY	REMARK
1	HS 4 8 0 0 2 0	V-Roller base (LM Guide)	1	
2	HP 4 5 1 1 0 0	V-Origin magnet bracket	1	
3	A 9 0 5 2 0 3 0	Magnet M-102A-02	1	
4	HS 4 6 0 1 0 0	V-pantograph driving rail fixing bracket	1	
5	HP 4 8 2 9 5 0	Roller pin a'ssy A	8	
6	A 9 0 2 0 0 9 8	Timing belt (300S5M2000)	1	
7	HP 4 8 2 9 4 0	Timing belt rack (5M)	2	
8	HP 4 8 2 9 1 0	V-Guide rail (L=1060)	2	
9	KN 4 8 0 0 6 1	Rail base felt (100×38×6)	2	
10	HP48217G520	V-Guide rail base (Stroke 520)	1	
11	HP45112G520	V-Origin rail (V520)	1	
12	KU 4 6 0 2 7 0	Plate nut (M3)	3	
13	KN 4 5 0 3 0 0	Proximity switch (MH-601A) fixing bracket	1	
14	A 9 0 5 2 0 3 1	Magnet proximity switch (MH-601A)	1	
15	HS 4 8 0 2 6 0	RS-001 bracket (V-L)	1	
16	HH 4 8 2 0 0 0	H-Guide front pulley bracket	1	
17	HH 4 8 1 9 9 1	Timing pulley shaft	1	
18	HP 4 8 2 9 8 0	Pantograph driving pulley (Front)(S5M)	1	
19	A 9 0 1 2 0 5 2	E-Ring (φ10)	1	
20	HH 4 8 2 1 1 0	Pulley shaft bolt cap	1	
21	MT 4 6 0 2 4 0	RS-001 bracket (V)	1	
22	A 9 0 5 2 0 2 4	Switch RS-001	2	
23		V-Pulse motor shaft φ15	1	
24	HH 4 8 1 9 7 0	Pulse motor coupling shaft collar	1	
25	HH 4 8 2 0 1 1	H-Guide rear pulley bracket	1	
26	A 9 0 1 1 0 6 3	Needle bearing (TLA 2016)	1	
27	HP 4 8 2 9 9 0	Pantograph driving pulley (Rear)(S5M)	1	
28	HH 4 8 1 9 8 0	Clamping φ19	1	
29		Hex, socket bolt M3×6		
30		Hex, nut M5		
31		Truss screw M3×6		
32		Hex, socket button bolt M4×6		
33		Hex, socket bolt M4×15		
34		Hex, socket bolt M8×25		
35		Hex, nut M4		
36		Hex, bolt M4×40		
37		Hex, bolt M4×25		
38		Hex, nut M8		
39		Hex, socket bolt M4×18		
40		Flush screw M4×6		
41		Hex, socket set screw M5×8		
42		Hex, socket bolt M5×18		
43		Truss screw M3×10		

From the library of: Diamond Needle Corp

Barudan

②① Pantograph drive mechanism VI (V-Direction)



From the library of: Diamond Needle Corp

MODEL **BEMRHE-YS**
BEMSHE-YS

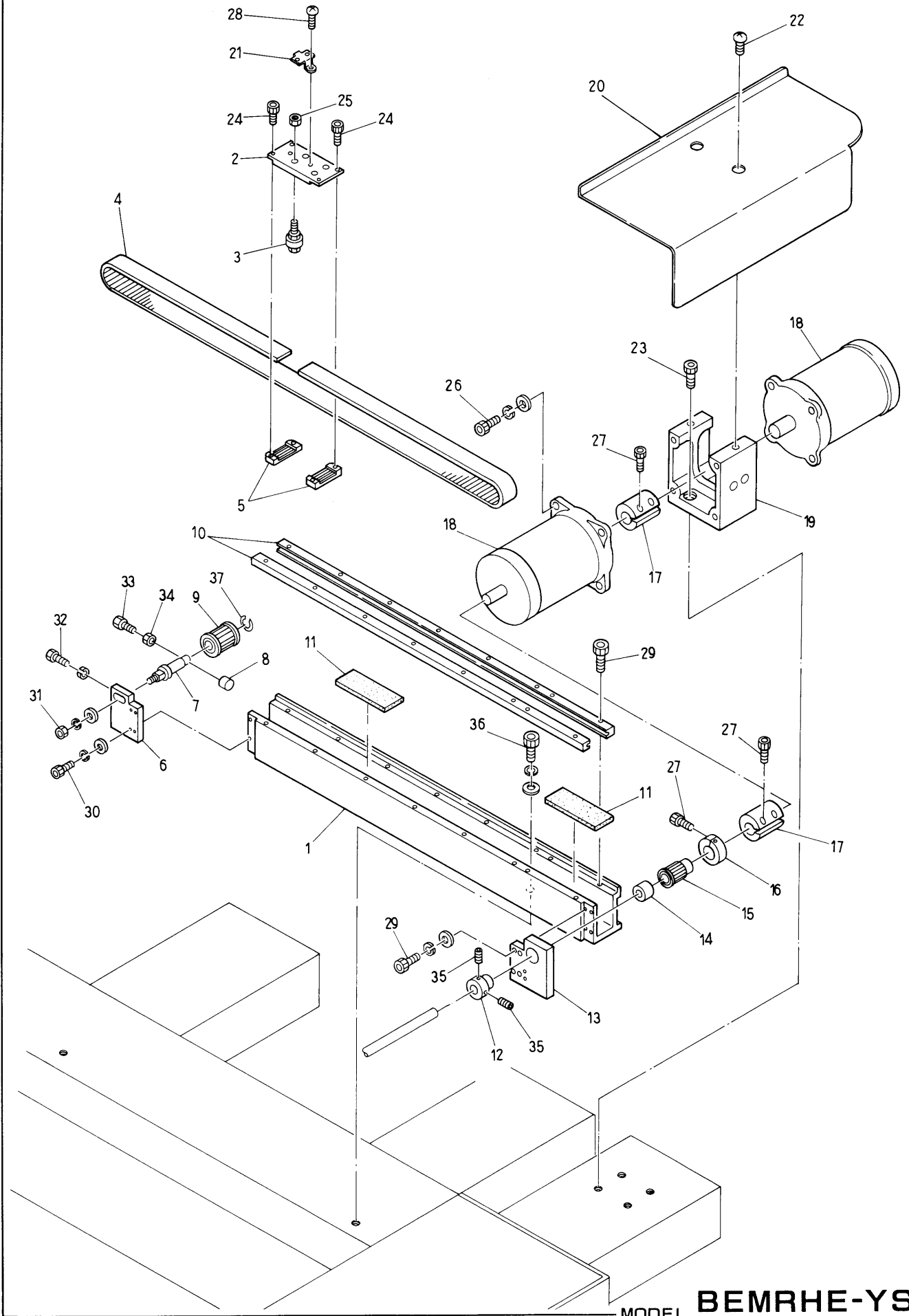
⑳ Pantograph drive mechanism VI (V-Direction)

ITEM	LIST No	DESCRIPTION	QTY	REMARK
1	A 9 0 2 0 0 9 8	Timing belt (300S5M2000)	1	
2	HP 4 8 2 9 4 0	Timing belt rack (5M)	2	
3	HP 4 8 2 9 1 0	V-Guide rail (L=1060)	2	
4	HP48217G520	V-Guide rail base (Stroke 520)	1	
5	KN 4 8 0 0 6 1	Rail base felt (100×38×6)	2	
6	HH 4 8 2 0 0 0	H-Guide front pulley bracket	1	
7	HH 4 8 1 9 9 1	Timing pulley shaft	1	
8	HP 4 8 2 9 8 0	Pantograph driving pulley (Front)(S5M)	1	
9	A 9 0 1 2 0 5 2	E-Ring (φ10)	1	
10	HH 4 8 2 1 1 0	Pulley shaft bolt cap	1	
11	HH 4 8 2 0 1 1	H-Guide rear pulley bracket	1	
12	HH 4 8 1 9 7 0	Pulse motor coupling shaft collar	1	
13	A 9 0 1 1 0 6 3	Needle bearing (TLA2016)	1	
14	HP 4 8 2 9 9 0	Pantograph driving pulley (Rear)(S5M)	1	
15	HH 4 8 1 9 8 0	Clamping φ19	1	
16	HB 1 3 0 0 2 0	Bridge fixing spacer T=1	1	
	HB 1 3 0 0 3 0	Bridge fixing spacer T=0.5	1	
17	HS 3 2 1 1 4 0	Upper shaft connecting bearing unit	1	
18	HB 3 1 0 0 1 0	Gear box (R)	1	
19	HB 3 1 0 0 3 0	Gear box cover (R)	1	
	HS 3 1 0 0 9 0	Gear box cover (R)	1	MSHE-12 450×520
20	HB 3 1 0 1 6 0	Gear box front cover	1	
21		Hex, socket bolt M10×30		
22		Hex, socket bolt M12×40		
23		Truss screw M5×10		
24		Truss screw M5×12		
25		Hex, socket bolt M5×18		
26		Hex, socket bolt M4×15		
27		Hex, socket set screw M5×8		
28		Hex, socket bolt M8×25		
29		Hex, socket bolt M4×18		
30		Hex, nut M8		
31		Hex, socket bolt M4×25		
32		Hex, socket bolt M4×40		
33		Hex, nut M4		
34		Hex, socket bolt M3×6		
35		Hex, socket bolt M12×40		

From the library of: Diamond Needle Corp

Barudan

21 Pantograph drive mechanism VII (V-Direction)

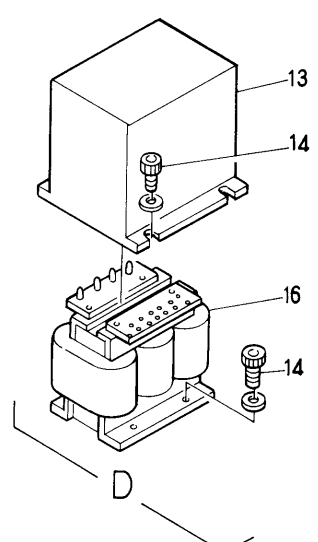
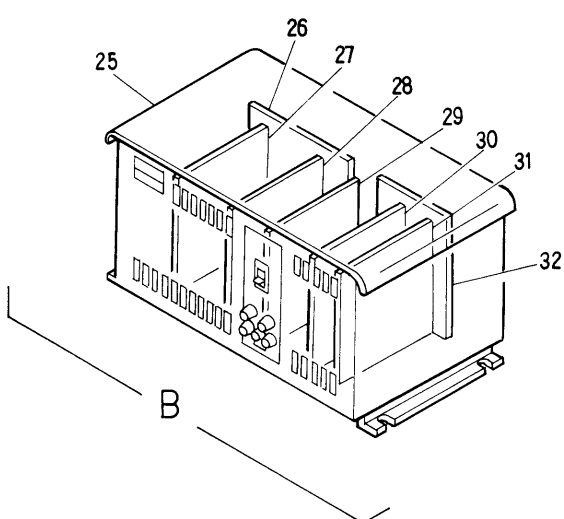
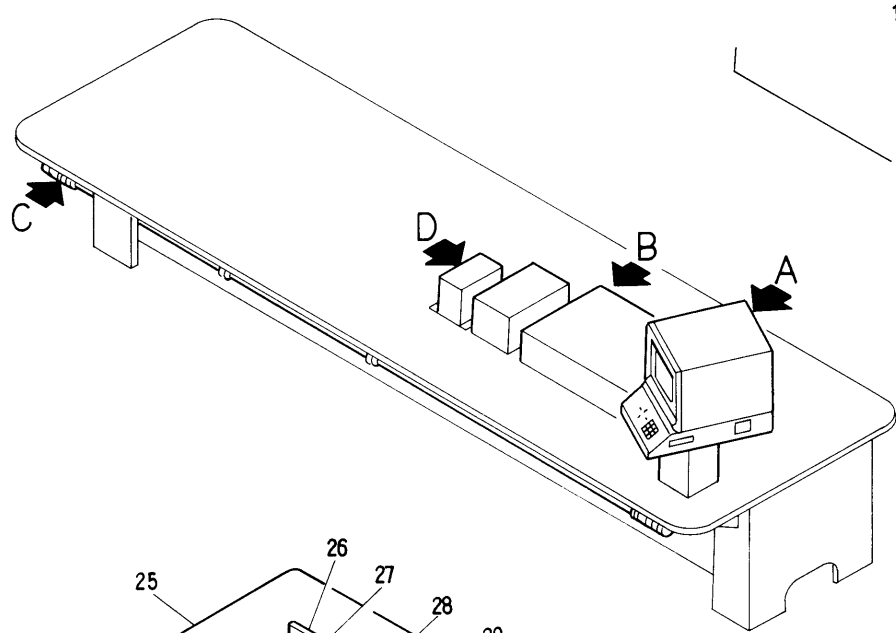
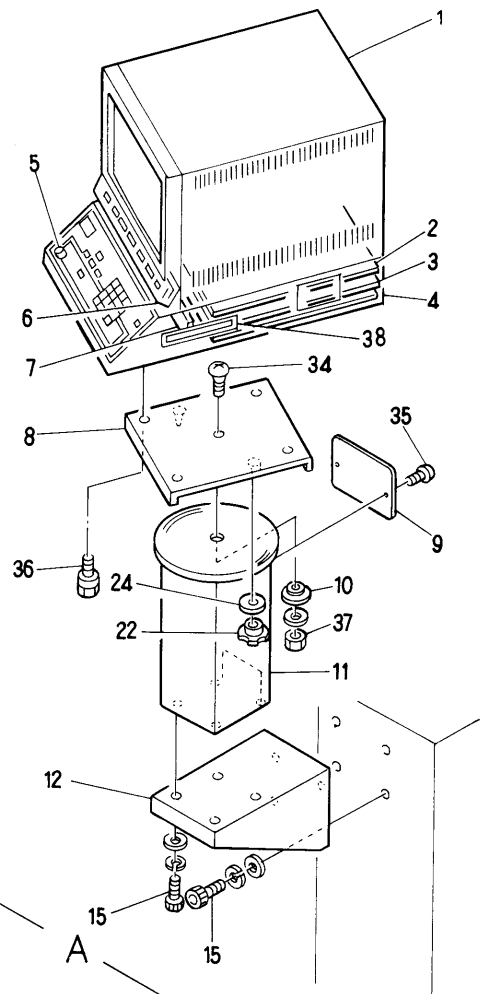
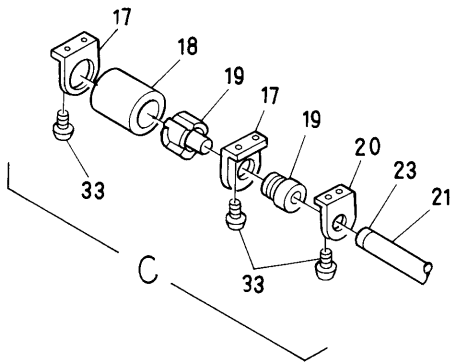


From the library of: Diamond Needle Corp

MODEL BEMRHE-YS
BEMSHE-YS

②1 Pantograph drive mechanism VII (V-Direction)

ITEM	LIST No.	DESCRIPTION	Q'TY	REMARK
1	HS 4 8 0 2 5 0	V-Guide rail base R (Stroke 520)	1	
2	HS 4 8 0 0 1 0	V-Roller base (Rear) (BEMSHE)	1	
3	HP 4 8 2 9 5 0	Roller pinassy A	4	
4	A 9 0 2 0 0 9 8	Timing belt (300S5M2000)	1	
5	HP 4 8 2 9 4 0	Timing belt rack (5M)	2	
6	HH 4 8 2 0 0 0	H-Guide front pulley bracket	1	
7	HH 4 8 1 9 9 1	Timing pulley shaft	1	
8	HH 4 8 2 1 1 0	Pulley shaft bolt cap	1	
9	HP 4 8 2 9 8 0	Pantograph driving pulley (Front)(S5M)	1	
10	HP 4 8 2 9 1 0	V-Guide rail (L=1060)	2	
11	KN 4 8 0 0 6 1	Rail base felt (100×38×6)	2	
12	HH 4 8 1 9 7 0	Pulse motor coupling shaft collar	1	
13	HH 4 8 2 0 1 1	H-Guide rear pulley bracket	1	
14	A 9 0 1 1 0 6 3	Needle bearing (TLA2016)	1	
15	HP 4 8 2 9 9 0	Pantograph driving pulley (Rear)(S5M)	1	
16	HH 4 8 1 9 8 0	Clamping φ19	1	
17	HH 4 8 1 9 3 1	Pulse motor coupling	2	
18	HH 4 8 1 9 0 0	Pulse motor (4M)	2	
19	HH 4 8 1 9 1 1	H-Pulse motor bracket	1	
20	HS 3 1 0 0 4 0	Table R, Rear cover (BEMSHE)	1	
21	HS 4 6 0 1 0 0	V-Pantograph driving rail fixing bracket	1	
22		Truss screw M8×12		
23		Hex, socket bolt M8×30		
24		Hex, socket bolt M3×6		
25		Hex, nut M5		
26		Hex, socket bolt M6×25		
27		Hex, socket bolt M5×18		
28		Hex, socket button bolt M4×6		
29		Hex, socket bolt M4×15		
30		Hex, socket bolt M4×18		
31		Hex, nut M8		
32		Hex, bolt M4×25		
33		Hex, bolt M4×40		
34		Hex, nut M4		
35		Hex, socket set screw M5×8		
36		Hex, socket bolt M8×25		
37	A 9 0 1 2 0 5 2	E-Ring (φ10)	1	



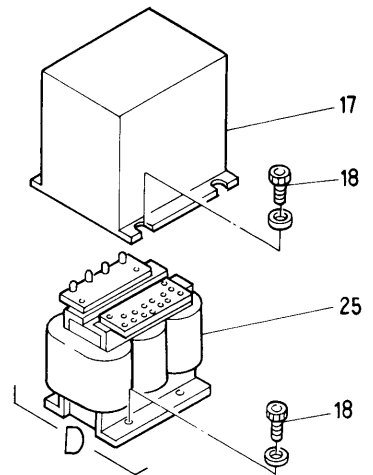
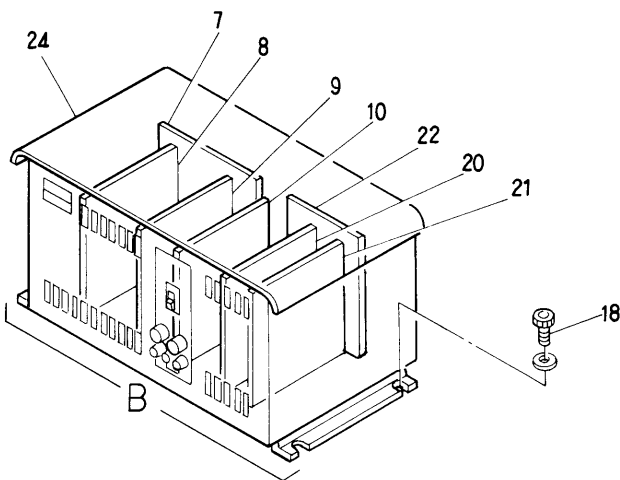
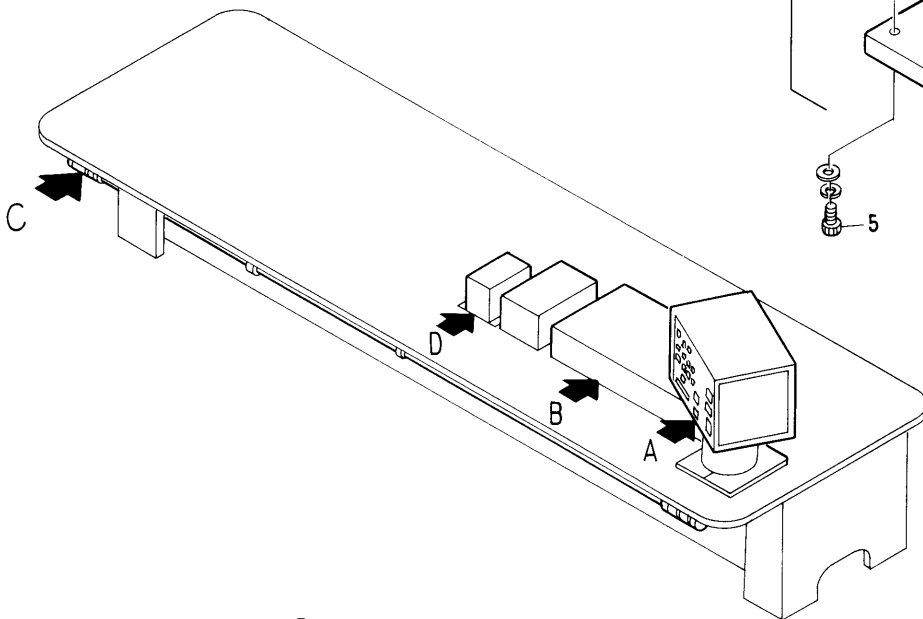
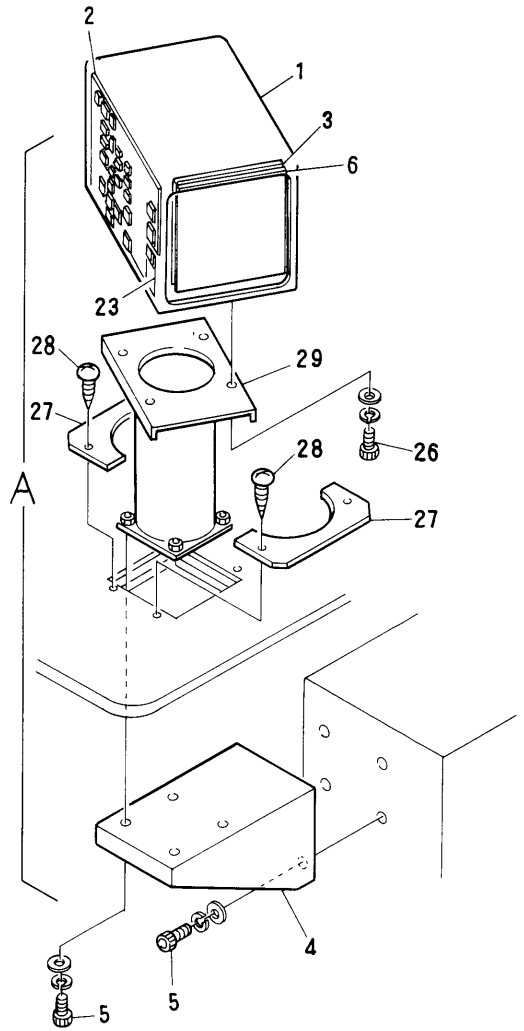
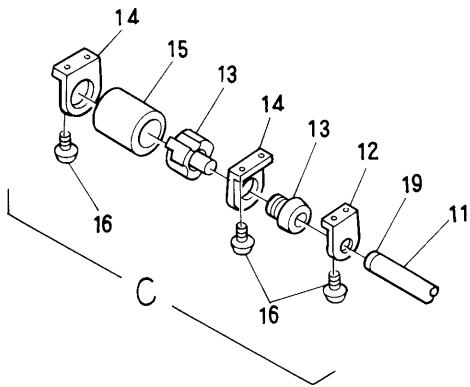
From the library of: Diamond Needle Corp

MODEL **BEMRHE-YS**
BEMSHE-YS

②Control system <BEMRHE-YS>

ITEM	LIST No.	DESCRIPTION	Q'TY	REMARK
1	EAY017A1	Automat contrller (BEMR)	1	
2	EBY00450	4410 CPU board	1	
3	EBY00460	4420 Memory board	1	
4	EBY00470	4430 FDSP board	1	
5	EBY00490	4450 Buzzer board	1	
6	EBY00500	4460 Switch board	1	
7	EBY00480	4440 B/B·L board	1	
8	HP512350	Controller rotary base	1	
9	HP512341	Controller stand cover	1	
10	HP512330	Controller rotary base	1	
11	HP512310	Controller stand	1	
12	HP512320	Controller stand stay	1	
13	KC520020	Transformer cover set	1	
14		Hex, socket bolt M6×30		
15		Hex, socket bolt M8×20		
16	EAY018A3	Automat transformer 1P (BEMR)	1	
	EAY017A3	Automat transformer 3P (BEMR)	1	
17	KC530230	Bar switch bracket (L)	4	
18	KF530150	Push button switch cap	2	
19	KF530111	Push button switch MS319 (Red)	1	
	KF530120	Push button switch MS319 (Green)	1	
20	KC530240	Bar switch bracket (S)	5	
21	KF530160	Bar switch	1	
22		Knob nut M6		
23	KF530170	Bar switch cap	2	
24		Washer 6		
25	EAY017A2	Automat driver (BEMR)	1	
26	EBY00570	4590 B/B·L board	1	
27	EBY00540	4540 Pulse motor controller board	1	
28	EBY00530	4530 Inverter board	1	
29	EBY00550	4560 Power control board	1	
30	EBY00520	4520 Solenoid board	1	
31	EBY00510	4510 Inter face board	1	
32	EBY00560	4580 B/B·R board	1	
33		Pan tapping screw M4×20		
34		Flush screw M8×20		
35		Truss screw M4×10		
36		Hex, socket bolt with spring washer M6×12		
37		Hex, nut M8		
38	EBY00630	Floppy disk drive (FD-1137C)	1	

From the library of: Diamond Needle Corp



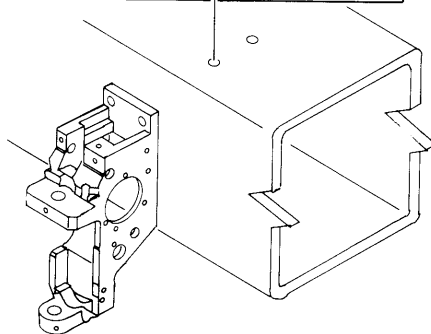
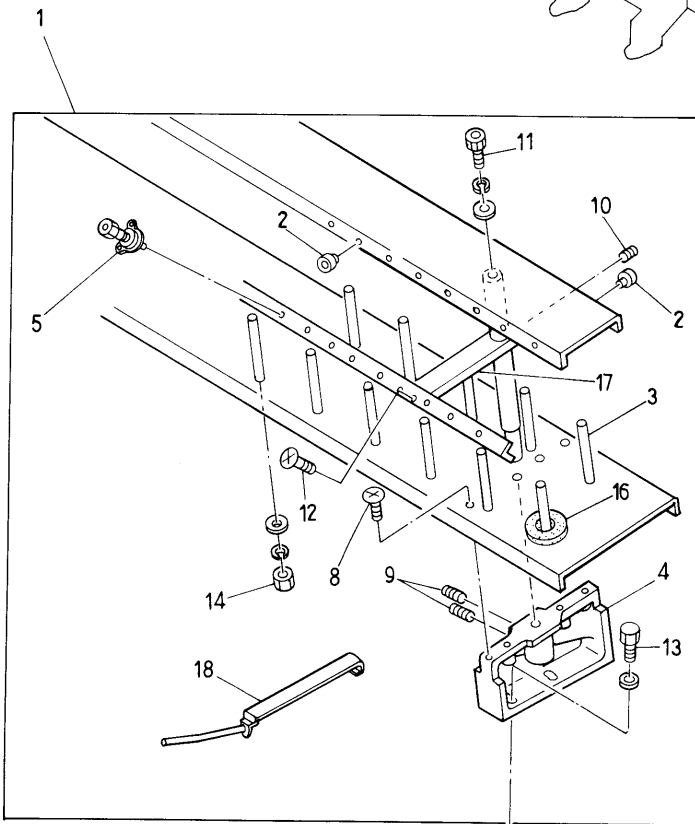
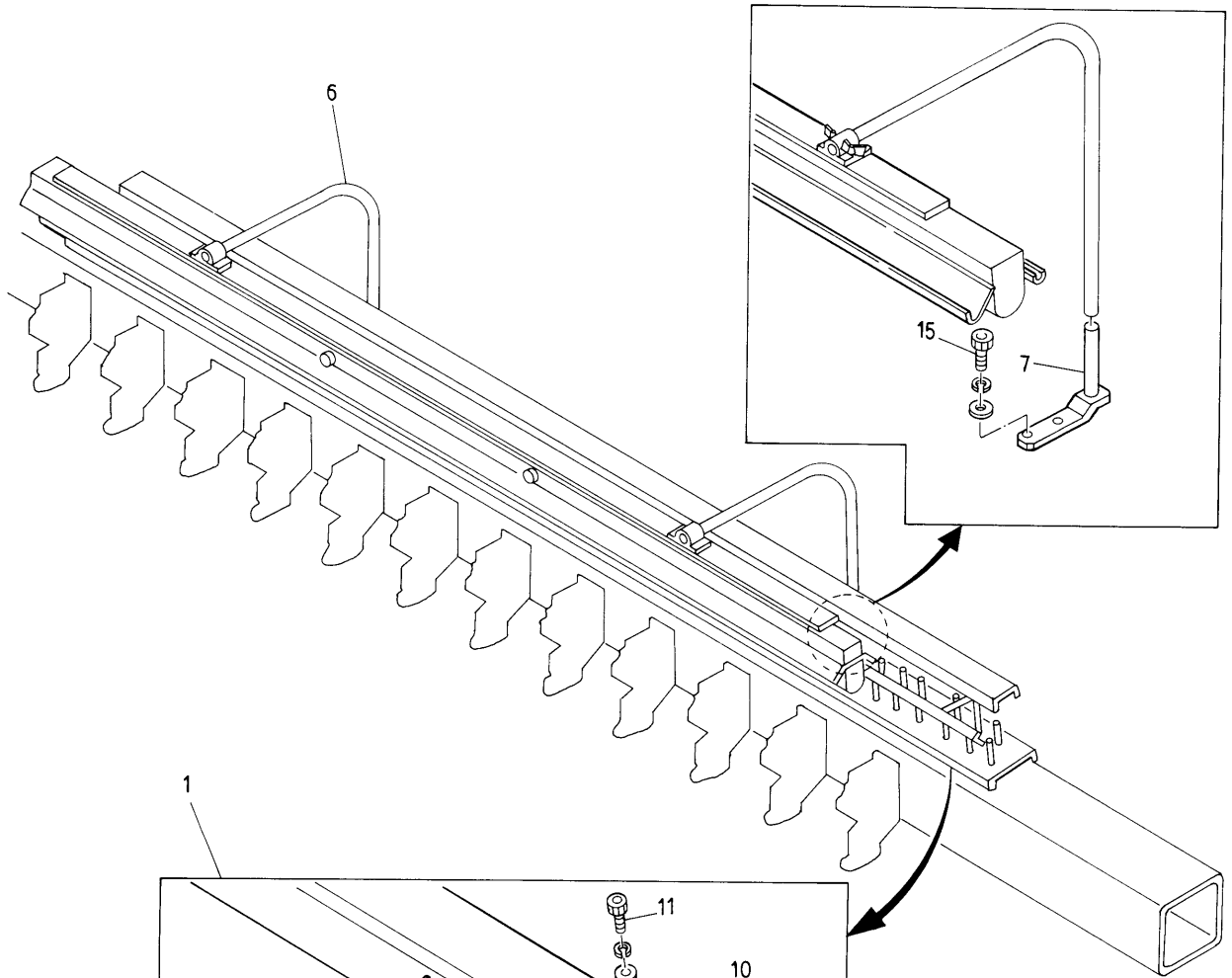
MODEL BEMRHE-YS
BEMSHE-YS

②Control system <BEMSHE-YS>

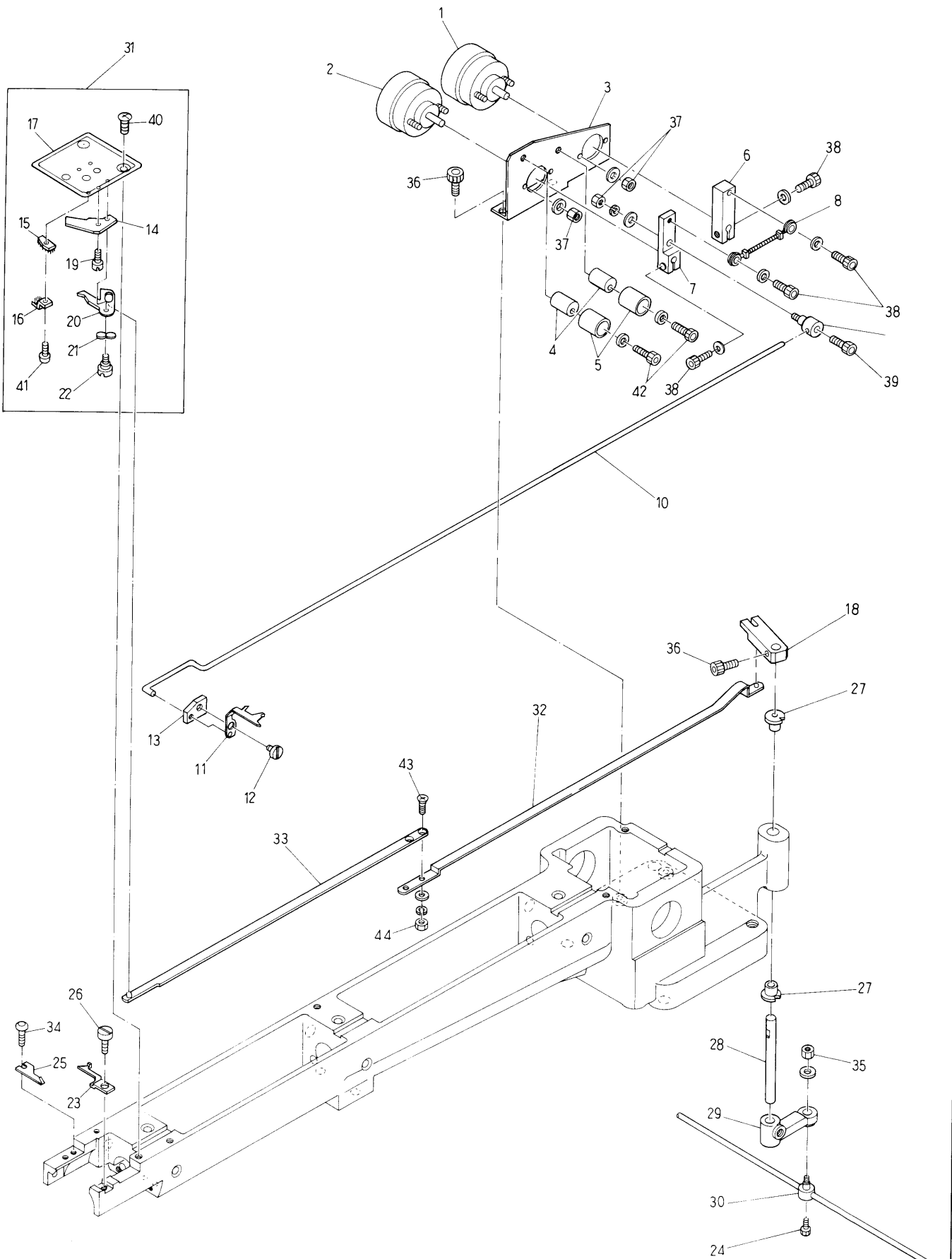
ITEM	LIST No	DESCRIPTION	QTY	REMARK
1	EAY021A1	Automat controller (BEMSH)	1	
2	EBY00990	7030 ON/OFF board	1	
3	EBY00970	7010 CPU board	1	
4	EBY00940	4920 Memory board (174000 Needles)	1	
5	EBY00950	4930 FD control board	1	
6	EBY00980	7020 Display/Switch board	1	
7	EBY00570	4590 B/B·L board	1	
8	EBY00540	4540 Pulse motor controller board	1	
9	EBY00530	4530 Inverter board	1	
10	EBY00550	4560 Power control board	1	
11	KF530160	Bar switch	1	
12	KC530240	Bar switch bracket (S)	5	
13	KF530111	Push button switch MS319 (Red)	1	
	KF530120	Push button switch MS319 (Green)	1	
14	KC530230	Bar switch bracket (L)	4	
15	KF530150	Bar switch cap	2	
16		Flush tapping screw 4×20		
17	KC520020	Transformer cover set	1	
18		Hex, socket bolt M6×30		
19	KF530170	Bar switch cap	1	
20	EBY00520	4520 Solenoid board	1	
21	EBY00510	4510 Inter face board	1	
22	EBY00560	4580 B/B·R board	1	
23	EBY00630	Floppy disk drive (FD-1137C)	1	
24	EAY021A2	Automat driver (MSH)	1	
25	EAY021A3	Automat transformer 3P (MSH)	1	
	EAY022A3	Automat transformer 1P (MSH)	1	
26		Hex, socket bolt M6×20		
27	HP512370	Controller stand under cover	2	
28		Truss tapping screw 3×20		
29	HP512320	Controller stand fixing stay	1	
30		Hex, socket bolt M8×20		
31	HP512360	Controller stand	1	

Barudan

23 Option



MODEL **BEMRHE-YS**
BEMSHE-YS



From the library of: Diamond Needle Corp

MODEL

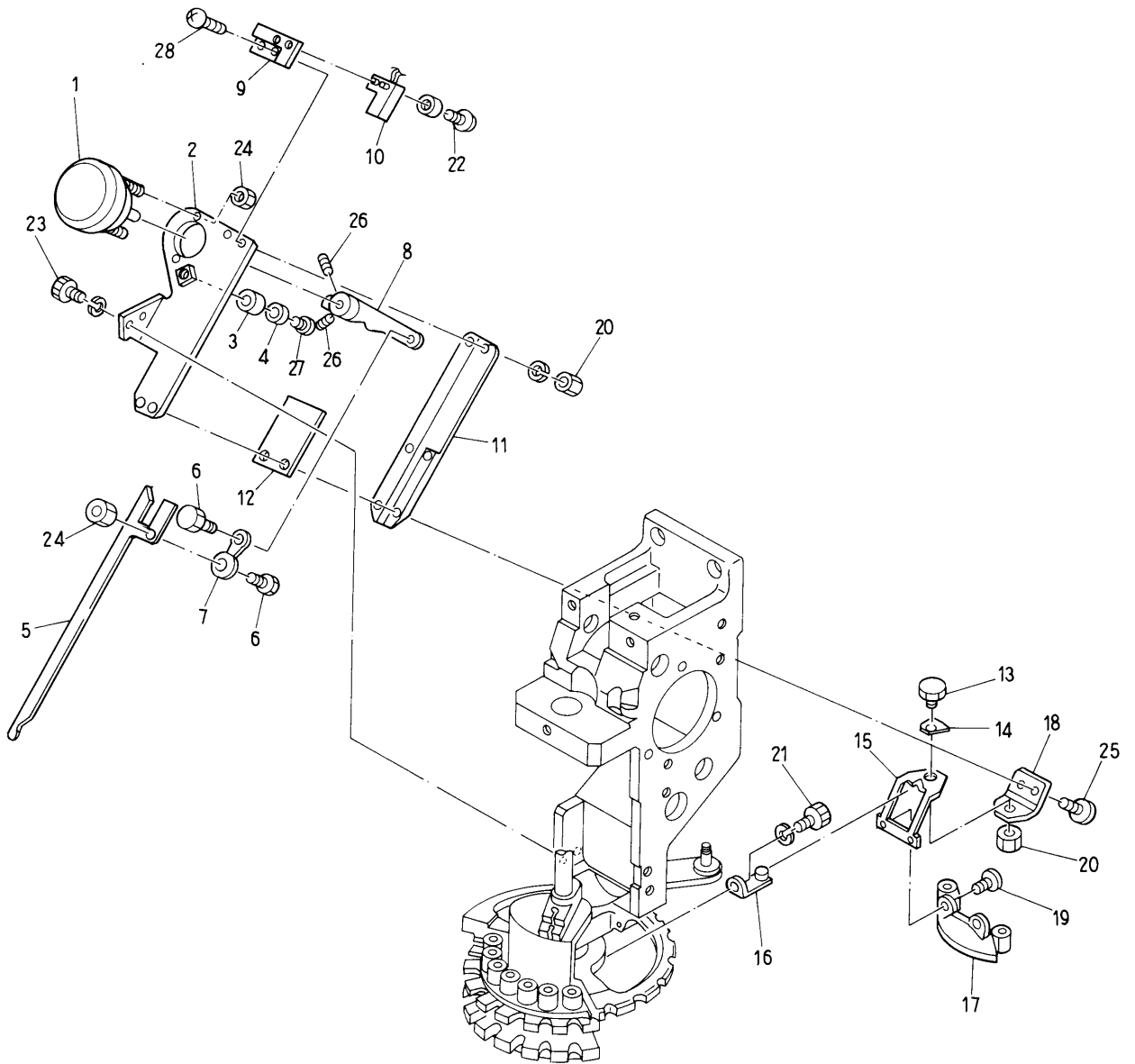
BEMRHE-YS
BEMSHE-YS

②4 Thread cutting mechanism I

(H=Head Q'TY)

ITEM	LIST No.	DESCRIPTION	Q'TY	REMARK
1	A 9 0 5 6 0 1 2	Rotary solenoid (3EL25 33×3×8×9)	H×1	
2	A 9 0 5 6 0 0 8	Rotary solenoid (3EL25 35×3×8×9)	H×1	
3	HS 2 1 0 0 6 0	Solenoid stay	H×1	
4	KN 2 7 1 6 5 1	Eccentric stopper	H×2	
5	KN 2 7 1 6 6 1	Eccentric cover	H×2	
6	KC 2 7 1 9 5 0	Solenoid lever B	H×1	
7	KC 2 7 1 9 4 0	Solenoid lever A	H×1	
8	KL 2 7 0 3 6 0	Drive rope	H×1	
9	HS 2 1 0 0 8 0	Connecting clamp	H×1	
10	HS 2 1 0 0 7 0	Hook drive rod	H×1	
11	HS 2 1 0 1 4 2	Hook	H×1	
12	KC 2 7 1 0 0 1	Upper knife turning shaft	H×1	
13	HS 2 1 0 0 5 0	Stay	H×1	
14	KC 2 7 0 9 6 0	Fixed knife	H×1	
15	KN 2 7 1 2 2 0	Lower thread support stay (Upper) CMP	H×1	
16	KN 2 7 1 1 9 0	Lower thread support stay (lower) CMP	H×1	
17	KL 2 7 0 3 8 0	Throat plate	H×1	
18	HS 2 1 0 1 0 0	Lower knife driving lever (Upper)	H×1	
19	KC 2 7 0 9 8 0	Set screw (fixing knife)	H×1	
20	KC 2 7 0 9 5 0	Lower knife	H×1	
21	A 9 0 1 3 0 4 5	Wave washer (WW5)	H×1	
22	KC 2 7 0 9 7 0	Lower knife turning shaft	H×1	
23	KC 2 2 0 6 4 2	Rotating hook bobin case holder position bracket	H×1	
24		Hex, socket bolt M4×8		
25	KB 2 7 0 0 1 0	Upper knife	H×1	
26	A 9 0 1 2 0 0 7	Screw (SM11/64 40×10) Cylinder	H×1	
27	A 9 0 1 1 1 7 3	DU bush (MB0606-12FDU)	H×2	
28	HS 2 1 0 0 9 0	Knife lever turning shaft	H×1	
29	KN 2 7 1 5 6 0	Knife lever	H×1	
30	MT 2 7 2 5 0 0	Connecting bar clamp	H×1	
31	KL 2 7 0 3 9 0	Throat plate a'ssy	H×1	
32	HS 2 1 0 1 2 0	Lower knife driving rod B	H×1	
33	HS 2 1 0 1 1 0	Lower knife driving rod A	H×1	
34		Hex, socket button bolt M3×6		
35		Hex, nut M4		
36		Hex, socket bolt M4×8		
37		Hex, nut M3		
38		Hex, socket bolt M4×10		
39		Hex, socket bolt M3×5		
40		Flush screw M3×3		
41		Pan screw M3×3		
42		Hex, socket bolt M4×18		
43	HB 2 3 0 6 5 0	Flush screw (with adhesion)	H×1	
44		Hex, nut M3		

From the library of: Diamond Needle Corp



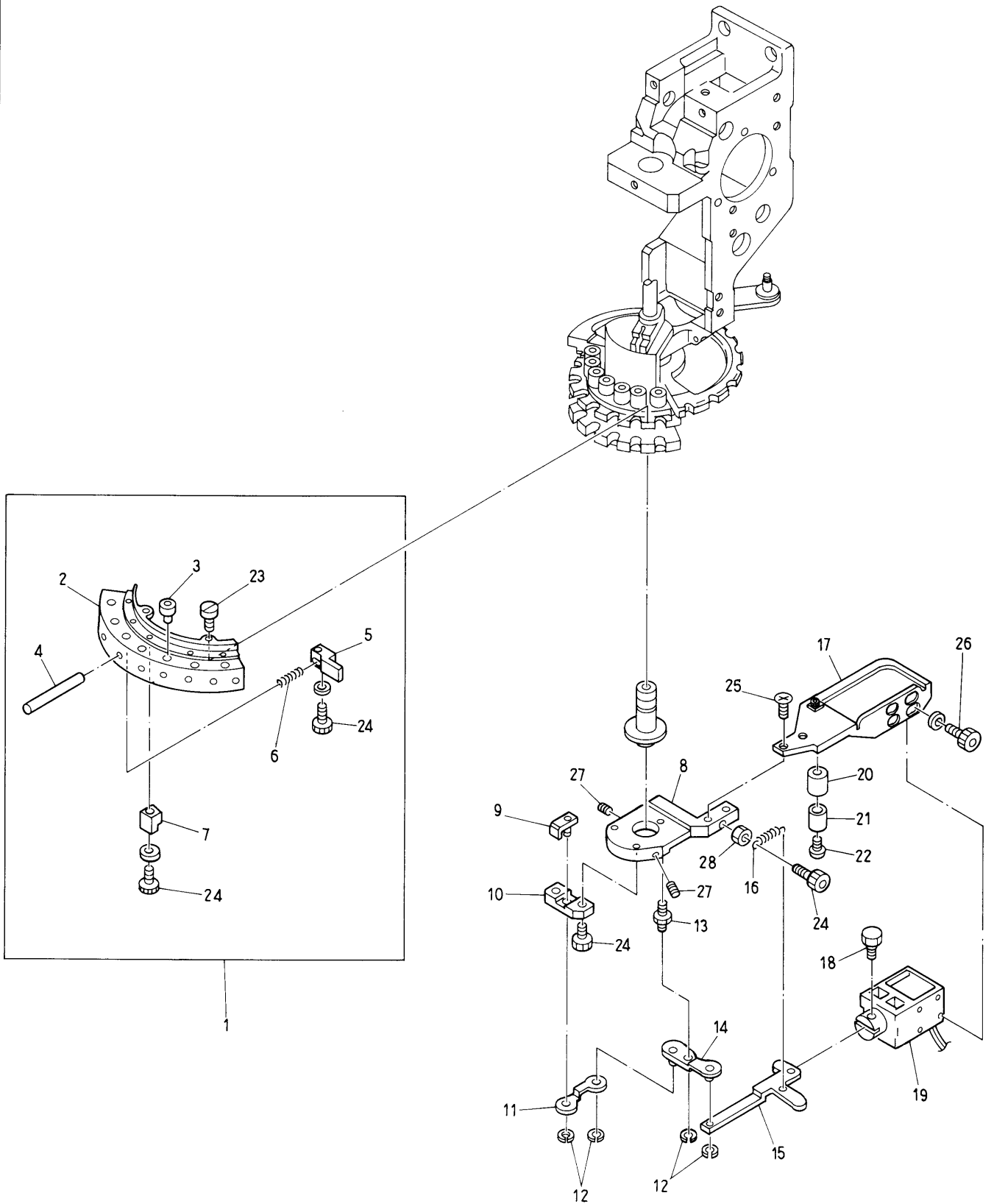
From the library of: Diamond Needle Corp

② Thread cutting mechanism II

(H=Head Q'TY)

ITEM	LIST No	DESCRIPTION	Q'TY	REMARK
1	A9056018	Rotary solenoid (4ER67.5-34×8×9) orange	H×1	
2	KL270081	Thread support base	H×1	
3	KL270150	Eccentric cover	H×1	
4	KL270140	Eccentric stopper	H×1	
5	KL270101	Thread support hook	H×1	
6	KL270130	Lever connecting pin	H×2	
7	KL270120	Connecting plate	H×1	
8	KL270110	Thread support solenoid lever	H×1	
9	KL270260	Switch stay	H×1	
10	A9052028	Proximity switch (RS-603)	H×1	
11	KL270091	Thread support hook guide	H×1	
12	KL270450	Hook guide plate	H×1	
13	KL270410	Thread hook disk rotary shaft	H×1	
14	A9013045	Wave washer (WW-5)	H×1	
15	KL270430	Thread hook disk fixing stay	H×1	
16	KL270420	Thread hook disk driving pin	H×1	
17	KL270400	Thread hook disk CMP	H×1	
18	KL270440	Rotary shaft fixing stay	H×1	
19		Truss screw M3×4		
20		Hex, nut M3		
21		Hex, socket bolt M3×8		
22		Truss screw M3×6		
23		Hex, socket bolt M4×12		
24		Hex, nut M4		
25		Truss screw M3×7		
26		Hex, socket set screw M4×8		
27		Truss screw M4×16		
28		Truss screw M3×10		

From the library of: Diamond Needle Corp



From the library of: Diamond Needle Corp

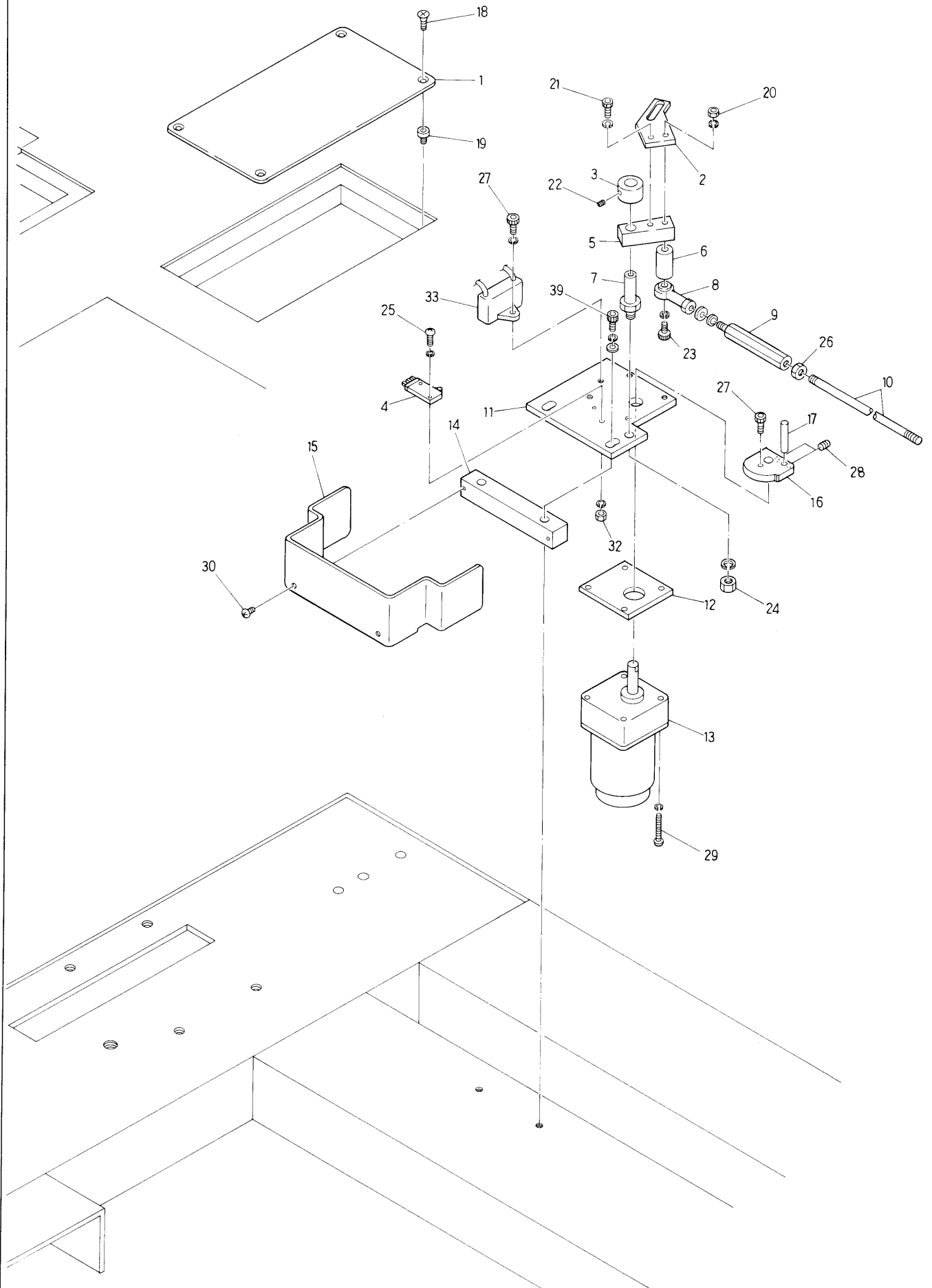
MODEL **BEMRHE-YS**
BEMSHE-YS

② Thread cutting mechanism III

(H=Head Q' TY)

ITEM	LIST No.	DESCRIPTION	Q'TY	REMARK
1	KG 270760	Thread support apron a'ssy (7)	H×1	
2	KG 270282	Thread support apron (7)	H×1	
3	KF 230580	Take up lever ceramic	H×7	
4	KG 270310	Thread support shaft	H×7	
5	KC 270301	Thread support clamp	H×7	
6	KC 270271	Support spring	H×7	
7	KC 270292	Thread support block	H×7	
8	KL 270000	Fixing base	H×1	
9	KL 270020	Thread support slider	H×1	
10	KL 270010	Slide base	H×1	
11	KL 270030	Driving plate	H×1	
12	A 9012056	E-Ring φ 3	H×4	
13	KL 270040	Lever rotary shaft	H×1	
14	KL 270050	Solenoid lever	H×1	
15	KL 270060	Lever connecting plate	H×1	
16	KL 270520	Return spring	H×1	
17	KL 270070	Solenoid stay	H×1	
18	KC 270101	Solenoid pin	H×1	
19	A 9056013	Keep solenoid (TDS-K10SL)	H×1	
20	KL 270150	Eccentric cover	H×1	
21	KL 270140	Eccentric stopper	H×1	
22		Truss screw M4×16		
23		Screw (SM9/64 40×10)		
24		Hex, socket bolt M4×10		
25		Flush screw M4×8		
26		Hex, socket bolt M3×6		
27		Hex, socket set screw M4×8		
28		Hex, nut M4		

From the library of: Diamond Needle Corp



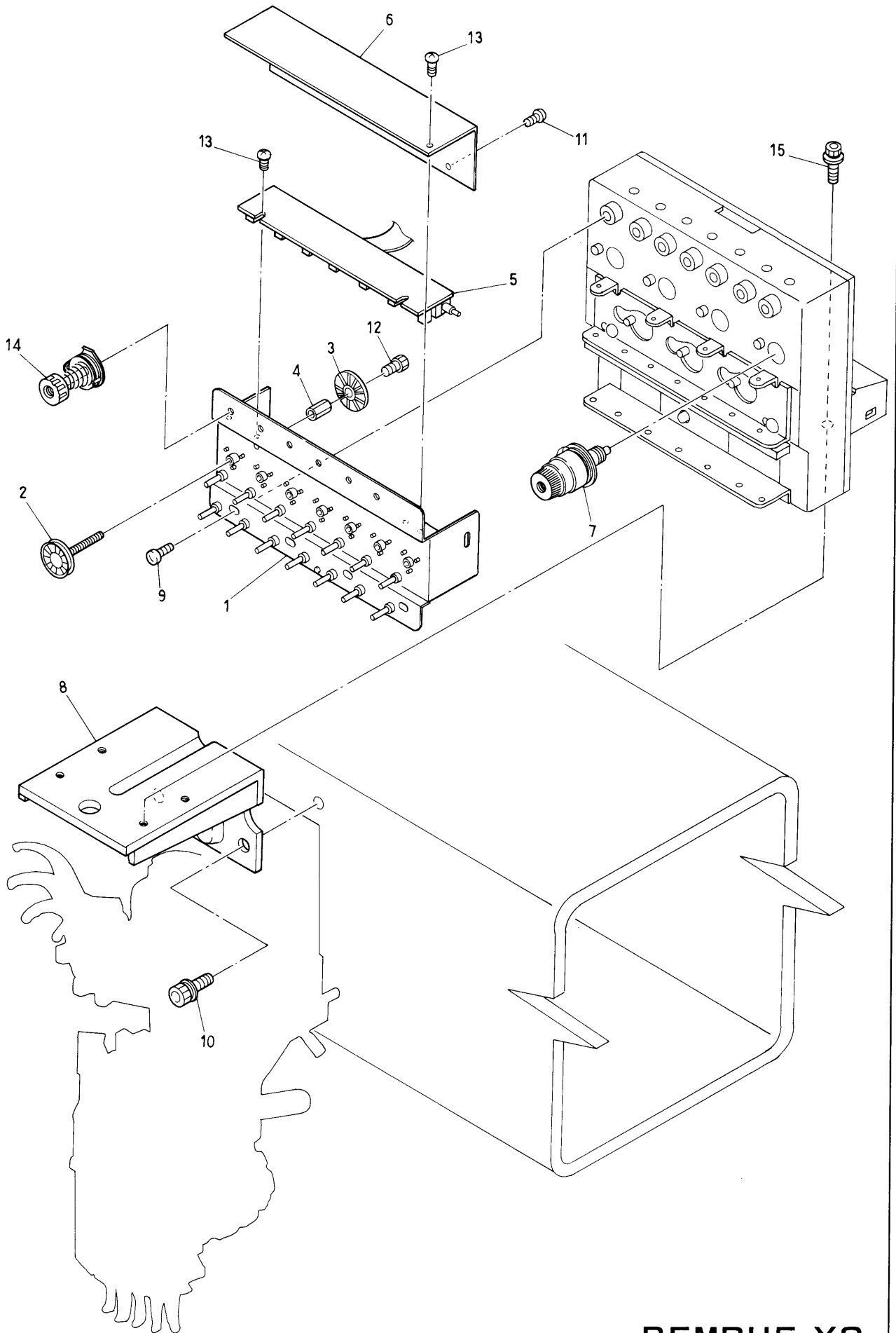
From the library of: Diamond Needle Corp

②7 Thread cutting drive mechanism

ITEM	LIST No	DESCRIPTION	Q' TY	REMARK
1	KC271440	Drive service cover	1	
2	HS270030	Motor cam lever	1	
3	KC330180	Collar $\phi 10$	1	
4	A9052005	Micro switch (V-01GL2255)	1	
5	KN271781	Drive lever	1	
6	HS270040	Motor lever collar	1	
7	KN271750	Motor lever turret shaft	1	
8	A9012002	Uniball joint (PR-6)	1	
9	KC330510	Hex, connecting bar	1	
10	KC330410	Lock connecting rod (2M)	2	
11	HS270011	Motor bracket	1	
12	KC271430	Motor spacer	1	
13	A9065028	Reversible motor (RM-F7A12PEAA) (7RH-D30)	1	
14	HS270020	Motor bracket spacer	1	
15	HS270050	Motor bracket cover	1	
16	HS270060	Drive cam	1	
17	KN272350	Drive pin	1	
18		Flush screw M4x8		
19		nut (C) M4		
20		Hex, nut M6		
21		Hex, socket bolt M6x12		
22		Hex, socket set screw M5x6		
23		Hex, socket bolt M6x55		
24		Hex, nut M8		
25		Truss screw M3x15, M3x20		
26		Hex, nut M5		
27		Hex, socket bolt M4x10		
28		Hex, socket set screw M5x8		
29		Pan screw M5x65		
30		Truss screw M3x6		
31		Hex, socket bolt M8x30		
32		Hex, nut M3		
33	A9054040	Condenser 6uF-200V	1	

Barudan

28 Thread guide mechanism (Lower thread sensorium)



From the library of: Diamond Needle Corp

MODEL BEMRHE-YS
BEMSHE-YS

I N D E X

LIST No.	PAGE No.	ITEM	LIST No.	PAGE No.	ITEM
1AHS1052052045H	3	2	A 9 0 1 2 0 5 1	2 1	1 9
1AHS1252052045H	5	2	A 9 0 1 2 0 5 2	4 1	1 8
1BHS1052052045H	3	1 2	A 9 0 1 2 0 5 2	4 3	1 9
1BHS1252052045H	5	1 2	A 9 0 1 2 0 5 2	4 5	9
1EHS1052052045H	3	1 1	A 9 0 1 2 0 5 2	4 7	3 7
1EHS1252052045H	5	1 1	A 9 0 1 2 0 5 3	1 7	4 4
1FHS1052052045H	3 5	2	A 9 0 1 2 0 5 5	3 1	1 8
1FHS1252052045H	3 7	2	A 9 0 1 2 0 5 6	5 9	1 2
1GHS1052052045H	3 5	1	A 9 0 1 2 0 6 8	2 5	1 2
1GHS1252052045H	3 7	1	A 9 0 1 2 1 2 6	3 9	1 0
1 J P 0 8 5 2 0	5 3	1	A 9 0 1 2 1 2 7	3 9	1 2
1 J P 1 0 5 2 0	5 3	1	A 9 0 1 2 1 4 3	3 1	2 2
1 J P 1 2 5 2 0	5 3	1	A 9 0 1 2 1 6 3	1 3	1 6
1KHS1052052045H	3	1	A 9 0 1 2 1 6 4	1 9	1 0
1KHS1252052045H	5	1	A 9 0 1 2 1 6 6	2 5	1 5
1SHS10520520K	3	1 0	A 9 0 1 2 1 9 0	1 9	2 0
1SHS12520520K	5	1 0	A 9 0 1 2 2 1 9	4 1	2 0
A 9 0 1 0 0 0 1	2 9	8	A 9 0 1 2 2 3 8	4 1	3 0
A 9 0 1 0 0 1 7	1 3	1 5	A 9 0 1 2 2 9 1	1 7	1 9
A 9 0 1 0 1 0 0	1 1	3 2	A 9 0 1 2 3 0 6	6 3	1 0
A 9 0 1 0 1 0 1	1 1	3 1	A 9 0 1 3 0 4 5	5 5	2 1
A 9 0 1 0 1 0 2	1 1	3 3	A 9 0 1 3 0 4 5	5 7	1 4
A 9 0 1 1 0 2 1	1 5	5	A 9 0 1 4 0 5 1	2 1	1 8
A 9 0 1 1 0 2 1	1 7	2 2	A 9 0 1 4 0 5 9	1 1	4 3
A 9 0 1 1 0 2 2	1 7	2 3	A 9 0 2 0 0 9 8	4 1	6
A 9 0 1 1 0 2 3	1 7	2 1	A 9 0 2 0 0 9 8	4 3	6
A 9 0 1 1 0 3 5	2 5	3	A 9 0 2 0 0 9 8	4 5	1
A 9 0 1 1 0 4 0	2 5	1 9	A 9 0 2 0 0 9 8	4 7	4
A 9 0 1 1 0 4 0	2 7	4	A 9 0 2 0 2 0 3	2 7	1 4
A 9 0 1 1 0 6 3	4 1	1 3	A 9 0 5 2 0 0 5	6 1	4
A 9 0 1 1 0 6 3	4 3	2 6	A 9 0 5 2 0 2 4	4 1	2 4
A 9 0 1 1 0 6 3	4 5	1 3	A 9 0 5 2 0 2 4	4 3	2 2
A 9 0 1 1 0 6 3	4 7	1 4	A 9 0 5 2 0 2 8	5 7	1 0
A 9 0 1 1 1 1 1	1 1	1 1	A 9 0 5 2 0 3 0	4 1	8
A 9 0 1 1 1 5 2	1 5	4	A 9 0 5 2 0 3 0	4 3	3
A 9 0 1 1 1 7 3	5 5	2 7	A 9 0 5 2 0 3 1	4 1	2 7
A 9 0 1 2 0 0 1	3 1	7	A 9 0 5 2 0 3 1	4 3	1 4
A 9 0 1 2 0 0 2	3 1	1 4	A 9 0 5 4 0 4 0	6 1	3 3
A 9 0 1 2 0 0 2	6 1	8	A 9 0 5 6 0 0 8	5 5	2
A 9 0 1 2 0 0 3	1 7	2 6	A 9 0 5 6 0 1 1	3 1	1 5
A 9 0 1 2 0 0 5	1 7	2 6	A 9 0 5 6 0 1 2	5 5	1
A 9 0 1 2 0 0 7	1 1	2 3	A 9 0 5 6 0 1 3	5 9	1 9
A 9 0 1 2 0 0 7	5 5	2 6	A 9 0 5 6 0 1 8	5 7	1
A 9 0 1 2 0 0 7	6 3	9	A 9 0 5 6 0 2 0	2 1	1
A 9 0 1 2 0 2 7	1 1	2 0	A 9 0 6 5 0 2 8	6 1	1 3

From the library of: Diamond Needle Corp

I N D E X

LIST	No.	PAGE No.	ITEM	LIST	No.	PAGE No.	ITEM
EAY017A1		49	1	HB210010		13	17
EAY017A2		49	25	HB220010		11	15
EAY017A3		49	16	HB230011		13	13
EAY018A3		49	16	HB230020		13	11
EAY021A1		51	1	HB230030		13	14
EAY021A2		51	24	HB230040		13	19
EAY021A3		51	25	HB230050		13	10
EAY022A3		51	25	HB230070		13	8
EBY00180		29	4	HB230080		13	7
EBY00450		49	2	HB230091		13	18
EBY00460		49	3	HB230100		13	1
EBY00470		49	4	HB230111		13	5
EBY00480		49	7	HB230121		15	8
EBY00490		49	5	HB230140		17	24
EBY00500		49	6	HB230150		15	6
EBY00510		49	31	HB230160		19	11
EBY00510		51	21	HB230170		17	20
EBY00520		49	30	HB230180		17	29
EBY00520		51	20	HB230190		17	33
EBY00530		49	28	HB230200		19	13
EBY00530		51	9	HB230210		19	14
EBY00540		49	27	HB230220		19	9
EBY00540		51	8	HB230231		19	12
EBY00550		49	29	HB230241		19	4
EBY00550		51	10	HB230251		19	8
EBY00560		49	32	HB230261		19	3
EBY00560		51	22	HB230271		19	2
EBY00570		49	26	HB230281		19	7
EBY00570		51	7	HB230291		15	3
EBY00630		49	38	HB230301		15	9
EBY00630		51	23	HB230310		15	11
EBY00910		63	5	HB230320		13	2
EBY00920		63	5	HB230331		13	3
EBY00940		51	4	HB230340		13	12
EBY00950		51	5	HB230350		19	5
EBY00970		51	3	HB230360		19	6
EBY00980		51	6	HB230372		19	15
EBY00990		51	2	HB230382		19	19
EBY01070		23	12	HB230390		19	21
HB13001180		3	34	HB230401		19	22
HB130020		25	2	HB230414		19	16
HB130020		45	16	HB230420		19	17
HB130030		25	2	HB230431		17	15
HB130030		45	16	HB230450		21	10
HB130040		3	33	HB230460		21	12

From the library of: Diamond Needle Corp

I N D E X

LIST No.	PAGE No.	ITEM	LIST No.	PAGE No.	ITEM
HB 2 3 0 4 7 0	2 1	1 1	HB 2 4 0 3 0 0	2 3	1 3
HB 2 3 0 4 8 1	1 5	7	HB 2 4 0 3 1 0	2 1	6
HB 2 3 0 4 9 3	1 3	9	HB 2 4 0 3 2 0	6 3	8
HB 2 3 0 5 0 2	1 7	7	HB 2 4 0 3 3 0	2 1	5
HB 2 3 0 5 1 2	1 7	6	HB 2 4 0 3 4 0	2 1	7
HB 2 3 0 5 3 1	1 7	3	HB 3 1 0 0 1 0	4 5	1 8
HB 2 3 0 5 4 2	1 7	8	HB 3 1 0 0 3 0	4 5	1 9
HB 2 3 0 5 5 0	1 7	2 5	HB 3 1 0 0 4 0	2 5	1 3
HB 2 3 0 5 7 1	1 9	1 8	HB 3 1 0 0 5 1	2 5	2 1
HB 2 3 0 5 9 0	1 9	2 3	HB 3 1 0 0 6 0	2 7	9
HB 2 3 0 6 0 1	1 7	1	HB 3 1 0 0 7 0	2 5	2 0
HB 2 3 0 6 2 0	1 3	4	HB 3 1 0 0 7 0	2 7	7
HB 2 3 0 6 4 1	1 3	3 1	HB 3 1 0 0 8 0	2 5	1 1
HB 2 3 0 6 5 0	1 3	3 0	HB 3 1 0 1 1 0	2 5	1 8
HB 2 3 0 6 5 0	5 5	4 3	HB 3 1 0 1 2 0	2 7	1
HB 2 3 0 6 9 1	1 3	3 2	HB 3 1 0 1 5 0	2 7	3
HB 2 3 0 7 0 1	1 9	1	HB 3 1 0 1 6 0	2 5	6
HB 2 3 0 7 1 0	1 3	3 3	HB 3 1 0 1 6 0	4 5	2 0
HB 2 3 0 7 2 0	1 7	1 8	HB 3 1 0 1 7 0	2 5	1 4
HB 2 3 0 7 5 0	1 5	1 2	HB 3 1 0 1 8 0	3	1 5
HB 2 3 0 7 6 0	1 5	1 0	HB 3 1 0 1 9 1	2 5	1 7
HB 2 3 0 7 7 0	1 7	4	HB 3 1 0 2 0 0	2 5	1 6
HB 2 3 0 7 8 0	1 7	5	HB 3 1 0 2 1 0	2 7	1 3
HB 2 3 0 8 0 0	1 3	2 0	HB 3 1 0 2 2 0	2 7	8
HB 2 4 0 0 1 1	2 1	2	HB 3 1 0 2 6 0	2 5	2 2
HB 2 4 0 0 2 0	2 1	8	HB 3 2 0 0 3 0	1 1	3 0
HB 2 4 0 0 3 0	2 1	9	HB 3 3 0 0 1 0	2 9	1 2
HB 2 4 0 0 4 0	2 1	4	HB 3 3 0 0 2 0	2 9	5
HB 2 4 0 0 5 0	2 1	3	HB 3 3 0 0 3 0	3 1	4
HB 2 4 0 0 6 0	2 1	1 3	HB 3 3 0 0 4 0	3 1	5
HB 2 4 0 0 7 0	2 1	1 7	HB 3 3 0 0 5 0	3 1	2 0
HB 2 4 0 0 8 0	2 1	1 5	HB 3 3 0 0 6 0	3 1	1 6
HB 2 4 0 0 9 0	2 1	1 4	HB 3 3 0 0 7 0	3 1	2
HB 2 4 0 1 1 0	2 1	1 6	HB 3 3 0 0 8 0	3 1	1 7
HB 2 4 0 1 5 1	1 5	2	HB 3 3 0 0 9 0	3 1	1
HB 2 4 0 1 6 1	1 5	1 3	HB 3 3 0 1 0 1	3 1	2 1
HB 2 4 0 1 7 1	1 5	1 4	HB 3 3 0 1 1 0	2 9	9
HB 2 4 0 1 8 0	1 5	1	HB 3 3 0 1 2 0	3 1	3
HB 2 4 0 2 0 0	2 3	1 7	HB 3 3 0 1 3 0	2 9	7
HB 2 4 0 2 1 0	2 3	1 8	HB 3 3 0 1 4 0	2 9	1
HB 2 4 0 2 2 0	2 3	1 9	HB 3 3 0 1 5 0	2 9	1 5
HB 2 4 0 2 3 1	2 3	2 1	HB 3 3 0 1 7 0	2 9	6
HB 2 4 0 2 4 1	2 3	2 2	HB 3 3 0 1 9 0	2 9	1 4
HB 2 4 0 2 5 0	2 3	2 3	HB 3 3 0 2 0 0	2 9	1 3
HB 2 4 0 2 6 0	2 3	1 1	HB 3 3 0 2 1 1	2 9	1 1

From the library of: Diamond Needle Corp

I N D E X

LIST No.	PAGE No.	ITEM	LIST No.	PAGE No.	ITEM
HB 3 3 0 2 2 1	2 9	1 0	HP 1 3 0 0 2 0	5	2 2
HB 5 4 0 0 4 0	6 3	1	HP 1 4 0 1 1 1	3	3 8
HB 5 4 0 0 5 0	6 3	1	HP 1 4 0 1 1 1	5	3 5
HB 5 4 0 0 6 0	6 3	6	HP 1 4 0 1 2 0	3	3 9
HB 5 4 0 0 7 0	6 3	6	HP 1 4 0 1 2 0	5	3 4
HG 4 8 0 0 0 1	3 5	6	HP 1 4 0 1 3 0 4 5	3	2 1
HG 4 8 0 0 0 1	3 7	6	HP 1 4 0 1 3 0 4 5	5	2 1
HH 3 2 0 5 5 0	2 5	4	HP 1 4 0 1 7 0	3	1 9
HH 3 3 0 6 7 0	3 1	2 5	HP 1 4 0 1 7 0	5	1 9
HH 3 3 0 7 7 0	3 1	1 0	HP 2 2 0 6 8 0	1 1	2
HH 3 3 0 8 1 0	3 1	2 6	HP 2 2 0 7 1 2	1 1	5
HH 4 8 1 9 0 0	3 9	2 1	HP 2 4 1 1 2 2	2 3	6
HH 4 8 1 9 0 0	4 7	1 8	HP 2 4 1 1 5 0	2 3	2
HH 4 8 1 9 1 1	3 9	2 2	HP 2 4 1 1 6 0	2 3	7
HH 4 8 1 9 1 1	4 7	1 9	HP 2 4 1 1 8 0	2 3	3
HH 4 8 1 9 3 1	3 9	2 0	HP 2 4 1 3 8 1	2 3	8
HH 4 8 1 9 3 1	4 7	1 7	HP 2 4 1 4 1 0	2 3	1
HH 4 8 1 9 4 0	3 9	2 3	HP 2 4 1 4 3 0	5 3	5
HH 4 8 1 9 7 0	1 1	3 4	HP 2 4 1 4 3 0	6 3	1 4
HH 4 8 1 9 7 0	4 1	1 5	HP 2 4 1 4 4 0	2 3	5
HH 4 8 1 9 7 0	4 3	2 4	HP 2 4 1 4 5 0	2 3	4
HH 4 8 1 9 7 0	4 5	1 2	HP 2 4 1 4 6 0	2 3	4
HH 4 8 1 9 7 0	4 7	1 2	HP 2 4 1 4 8 0	2 3	1 0
HH 4 8 1 9 8 0	4 1	1 1	HP 3 1 0 1 5 0	2 5	1 0
HH 4 8 1 9 8 0	4 3	2 8	HP 3 1 0 2 2 0	2 7	1 8
HH 4 8 1 9 8 0	4 5	1 5	HP 3 2 1 0 8 2	1 1	9
HH 4 8 1 9 8 0	4 7	1 6	HP 3 2 1 0 9 0	1 1	1 0
HH 4 8 1 9 9 1	4 1	2 2	HP 3 2 1 1 0 0	2 7	1 0
HH 4 8 1 9 9 1	4 3	1 7	HP 3 2 1 1 1 0	3	1 4
HH 4 8 1 9 9 1	4 5	7	HP 3 2 1 1 1 0	5	1 4
HH 4 8 1 9 9 1	4 7	7	HP 3 2 1 7 1 0	1 1	3 5
HH 4 8 2 0 0 0	4 3	1 6	HP 3 2 1 7 2 0	1 1	3 6
HH 4 8 2 0 0 0	4 5	6	HP 3 3 1 5 6 0	3 1	1 3
HH 4 8 2 0 0 0	4 7	6	HP 3 3 1 6 1 0	3 1	1 2
HH 4 8 2 0 1 1	4 1	1 4	HP 3 3 1 6 6 0	3 1	8
HH 4 8 2 0 1 1	4 3	2 5	HP 3 3 1 7 0 0	3 1	2 3
HH 4 8 2 0 1 1	4 5	1 1	HP 3 3 1 9 2 2	1 1	3 7
HH 4 8 2 0 1 1	4 7	1 3	HP 3 3 1 9 5 0	3 1	2 4
HH 4 8 2 1 1 0	4 1	2 1	HP 4 5 1 0 8 0	4 1	7
HH 4 8 2 1 1 0	4 3	2 0	HP 4 5 1 1 0 0	4 3	2
HH 4 8 2 1 1 0	4 5	1 0	HP 4 5 1 1 1 G 4 5	4 1	2 6
HH 4 8 2 1 1 0	4 7	8	HP 4 5 1 1 2 G 5 2 0	4 3	1 1
HP 1 2 0 0 3 0	3	1 6	HP 4 6 0 1 2 1	3 9	8
HP 1 2 0 0 3 0	5	1 6	HP 4 6 0 1 6 0	3 9	1 1
HP 1 3 0 0 2 0	3	2 2	HP 4 6 0 1 7 0	3 9	9

From the library of: Diamond Needle Corp

I N D E X

L I S T	No.	P A G E No.	I T E M	L I S T	No.	P A G E No.	I T E M
HP 4 8 0 1 2 0		3 5	8	HS 1 4 0 1 5 0		3	6
HP 4 8 0 1 2 0		3 7	8	HS 1 4 0 1 5 0		5	6
HP 4 8 2 1 7 G 5 2 0		4 3	1 0	HS 1 4 0 1 6 0		3	5
HP 4 8 2 1 7 G 5 2 0		4 5	4	HS 1 4 0 1 6 0		5	5
HP 4 8 2 8 4 0		3 9	1 9	HS 1 4 0 1 7 0		3	3
HP 4 8 2 8 8 0		3 9	4	HS 1 4 0 1 7 0		5	3
HP 4 8 2 9 1 0		3 9	2	HS 1 4 0 2 9 0		3	8
HP 4 8 2 9 1 0		4 1	1 6	HS 1 4 0 2 9 0		5	8
HP 4 8 2 9 1 0		4 3	8	HS 1 4 0 5 4 0		3	3 5
HP 4 8 2 9 1 0		4 5	3	HS 1 4 0 5 4 0		5	3 6
HP 4 8 2 9 1 0		4 7	1 0	HS 1 4 0 5 6 0		3	4 0
HP 4 8 2 9 4 0		4 1	9	HS 1 4 0 5 6 0		5	3 9
HP 4 8 2 9 4 0		4 3	7	HS 1 4 0 5 8 0		5	1 3
HP 4 8 2 9 4 0		4 5	2	HS 1 4 0 5 9 0		5	7
HP 4 8 2 9 4 0		4 7	5	HS 1 4 0 6 8 0		3	7
HP 4 8 2 9 5 0		4 1	5	HS 1 4 0 6 9 0		3	1 3
HP 4 8 2 9 5 0		4 3	5	HS 1 4 0 7 0 0		7	1 2
HP 4 8 2 9 5 0		4 7	3	HS 1 4 0 7 1 0		9	6
HP 4 8 2 9 8 0		4 1	1 9	HS 1 4 0 7 2 0		7	1 4
HP 4 8 2 9 8 0		4 3	1 8	HS 1 4 0 7 2 0		9	8
HP 4 8 2 9 8 0		4 5	8	HS 1 4 0 7 3 0		7	1 9
HP 4 8 2 9 8 0		4 7	9	HS 1 4 0 7 3 0		9	1 3
HP 4 8 2 9 9 0		4 1	1 2	HS 1 4 0 7 7 0		7	1 8
HP 4 8 2 9 9 0		4 3	2 7	HS 1 4 0 7 7 0		9	1 2
HP 4 8 2 9 9 0		4 5	1 4	HS 1 4 0 7 8 0		9	5
HP 4 8 2 9 9 0		4 7	1 5	HS 1 4 0 8 0 0		7	8
HP 5 1 2 3 1 0		4 9	1 1	HS 1 4 0 8 1 0		7	1 1
HP 5 1 2 3 2 0		3	2 0	HS 1 4 0 8 2 0		7	5
HP 5 1 2 3 2 0		5	2 0	HS 1 4 0 8 3 0		7	1 0
HP 5 1 2 3 2 0		4 9	1 2	HS 1 4 0 8 4 0		7	9
HP 5 1 2 3 2 0		5 1	2 9	HS 1 4 0 8 5 0		7	2 1
HP 5 1 2 3 3 0		4 9	1 0	HS 1 4 0 8 5 0		9	1 5
HP 5 1 2 3 4 1		4 9	9	HS 1 4 0 8 6 0		7	1 7
HP 5 1 2 3 5 0		4 9	8	HS 1 4 0 8 6 0		9	1 1
HP 5 1 2 3 6 0		5 1	3 1	HS 1 4 0 8 7 0		7	1 3
HP 5 1 2 3 7 0		5 1	2 7	HS 1 4 0 8 7 0		9	7
HP 7 1 0 7 9 1		5 3	4	HS 1 4 0 8 8 0		7	1 6
HP 7 1 1 2 0 0		5 3	6	HS 1 4 0 8 8 0		9	1 0
HP 7 1 1 2 1 0		5 3	6	HS 1 4 0 8 9 0		7	7
HS 1 3 0 0 0 0		5	3 3	HS 1 4 0 9 0 0		7	4
HS 1 3 0 0 1 0		5	1 5	HS 1 4 0 9 0 0		9	4
HS 1 4 0 0 1 0		3	9	HS 1 4 0 9 3 0		7	6
HS 1 4 0 0 1 0		5	9	HS 1 4 0 9 6 0		7	1
HS 1 4 0 1 4 0		3	4	HS 1 4 0 9 6 0		9	1
HS 1 4 0 1 4 0		5	4	HS 1 4 0 9 7 0		7	3

From the library of: Diamond Needle Corp

I N D E X

LIST No.	PAGE No.	ITEM	LIST No.	PAGE No.	ITEM
HS 1 4 0 9 7 0	9	3	HS 4 6 0 1 0 0	4 3	4
HS 1 4 0 9 8 0	7	2	HS 4 6 0 1 0 0	4 7	2 1
HS 1 4 0 9 8 0	9	2	HS 4 6 0 1 1 0	3 3	1 0
HS 1 4 0 9 9 0	7	2 2	HS 4 6 0 1 2 0	3 5	4
HS 1 4 1 0 0 0	7	1 5	HS 4 6 0 1 2 0	3 7	4
HS 1 4 1 0 2 0	7	1 5	HS 4 6 0 1 3 0	3 9	1 8
HS 2 1 0 0 1 1	1 1	8	HS 4 6 0 1 7 0	3 3	1
HS 2 1 0 0 2 0	1 1	1	HS 4 6 0 2 0 0	3 3	1 1
HS 2 1 0 0 3 0	1 1	1 9	HS 4 6 0 2 1 0	3 3	5
HS 2 1 0 0 4 0	1 1	7	HS 4 6 0 2 2 0	3 3	2
HS 2 1 0 0 5 0	5 5	1 3	HS 4 8 0 0 0 0	4 1	2
HS 2 1 0 0 6 0	5 5	3	HS 4 8 0 0 1 0	4 7	2
HS 2 1 0 0 7 0	5 5	1 0	HS 4 8 0 0 2 0	4 3	1
HS 2 1 0 0 8 0	5 5	9	HS 4 8 0 0 3 0	3 9	5
HS 2 1 0 0 9 0	5 5	2 8	HS 4 8 0 0 4 0	3 9	6
HS 2 1 0 1 0 0	5 5	1 8	HS 4 8 0 0 5 1	4 1	1
HS 2 1 0 1 1 0	5 5	3 3	HS 4 8 0 0 6 1	4 1	3
HS 2 1 0 1 2 0	5 5	3 2	HS 4 8 0 0 7 2	3 9	1
HS 2 1 0 1 4 2	5 5	1 1	HS 4 8 0 0 8 1	3 5	5
HS 2 7 0 0 1 1	6 1	1 1	HS 4 8 0 0 8 1	3 7	5
HS 2 7 0 0 2 0	6 1	1 4	HS 4 8 0 0 9 0	4 1	2 5
HS 2 7 0 0 3 0	6 1	2	HS 4 8 0 2 2 1	3 5	7
HS 2 7 0 0 4 0	6 1	6	HS 4 8 0 2 2 1	3 7	7
HS 2 7 0 0 5 0	6 1	1 5	HS 4 8 0 2 5 0	4 7	1
HS 2 7 0 0 6 0	6 1	1 6	HS 4 8 0 2 6 0	4 3	1 5
HS 3 1 0 0 0 0	2 7	2	HS 4 8 0 2 8 0	4 1	2 3
HS 3 1 0 0 1 0	2 5	9	HS 5 1 0 0 0 0	3	1 7
HS 3 1 0 0 2 0	2 5	7	HS 5 1 0 0 0 0	5	1 7
HS 3 1 0 0 3 0	2 5	8	HS 7 3 0 0 0 0	3 3	1 2
HS 3 1 0 0 4 0	4 7	2 0	HS 7 3 0 0 0 0	3 5	1 2
HS 3 1 0 0 5 0	2 5	1	HS 7 3 0 0 0 0	3 7	1 2
HS 3 1 0 0 6 0	2 5	2 3	HU 3 1 5 2 9 0	2 7	1 7
HS 3 1 0 0 7 0	2 7	1 1	KB 2 4 0 0 6 0	2 3	1 6
HS 3 1 0 0 8 0	2 7	1 2	KB 2 4 0 1 0 0	2 3	1 5
HS 3 1 0 0 9 0	4 5	1 9	KB 2 7 0 0 1 0	5 5	2 5
HS 3 1 0 1 0 0	2 5	1 3	KC 2 2 0 6 4 2	5 5	2 3
HS 3 2 1 1 4 0	4 5	1 7	KC 2 2 0 6 5 0	1 1	1 3
HS 4 6 0 0 0 0	3 5	3	KC 2 5 0 4 8 2	1 1	1 8
HS 4 6 0 0 0 0	3 7	3	KC 2 7 0 1 0 1	5 9	1 8
HS 4 6 0 0 3 0	3 3	8	KC 2 7 0 2 7 1	5 9	6
HS 4 6 0 0 4 0	3 3	6	KC 2 7 0 2 9 2	5 9	7
HS 4 6 0 0 5 0	3 3	9	KC 2 7 0 3 0 1	5 9	5
HS 4 6 0 0 7 0	3 3	3	KC 2 7 0 9 5 0	5 5	2 0
HS 4 6 0 0 8 0	3 3	4	KC 2 7 0 9 6 0	5 5	1 4
HS 4 6 0 0 9 0	4 1	2 9	KC 2 7 0 9 7 0	5 5	2 2

From the library of: Diamond Needle Corp

I N D E X

LIST	No.	PAGE No.	ITEM	LIST	No.	PAGE No.	ITEM
K C 2 7 0 9 8 0		5 5	1 9	K F 3 3 0 3 8 1		1 7	2 8
K C 2 7 1 0 0 1		5 5	1 2	K F 5 3 0 1 1 1		4 9	1 9
K C 2 7 1 4 3 0		6 1	1 2	K F 5 3 0 1 1 1		5 1	1 3
K C 2 7 1 4 4 0		6 1	1	K F 5 3 0 1 2 0		4 9	1 9
K C 2 7 1 9 4 0		5 5	7	K F 5 3 0 1 2 0		5 1	1 3
K C 2 7 1 9 5 0		5 5	6	K F 5 3 0 1 5 0		4 9	1 8
K C 3 2 0 8 2 0		2 5	5	K F 5 3 0 1 5 0		5 1	1 5
K C 3 2 0 8 2 0		2 7	1 9	K F 5 3 0 1 6 0		4 9	2 1
K C 3 3 0 1 7 0		2 9	3	K F 5 3 0 1 6 0		5 1	1 1
K C 3 3 0 1 8 0		6 1	3	K F 5 3 0 1 7 0		4 9	2 3
K C 3 3 0 2 8 0		2 9	2	K F 5 3 0 1 7 0		5 1	1 9
K C 3 3 0 3 1 0 3 0 0		3 1	6	K F 7 1 0 2 8 0		5 3	3
K C 3 3 0 3 1 0 5 2 0		1 7	2 7	K F 7 1 0 3 9 0		5 3	1 6
K C 3 3 0 4 1 0		1 7	3 5	K G 2 3 0 0 2 0		1 7	9
K C 3 3 0 4 1 0		3 1	9	K G 2 5 0 0 1 0		2 3	2 0
K C 3 3 0 4 1 0		6 1	1 0	K G 2 7 0 2 8 2		5 9	2
K C 3 3 0 4 2 0		3 1	1 1	K G 2 7 0 3 1 0		5 9	4
K C 3 3 0 5 1 0		6 1	9	K G 2 7 0 7 6 0		5 9	1
K C 5 2 0 0 2 0		4 9	1 3	K G 7 1 0 1 6 1		5 3	7
K C 5 2 0 0 2 0		5 1	1 7	K L 2 2 0 1 2 0		1 1	2 8
K C 5 3 0 2 3 0		4 9	1 7	K L 2 2 0 1 4 0		1 1	6
K C 5 3 0 2 3 0		5 1	1 4	K L 2 3 0 1 1 1		1 7	1 6
K C 5 3 0 2 4 0		4 9	2 0	K L 2 3 0 2 8 0		1 7	3 0
K C 5 3 0 2 4 0		5 1	1 2	K L 2 7 0 0 0 0		5 9	8
K C 7 1 0 2 7 0		5 3	1 7	K L 2 7 0 0 1 0		5 9	1 0
K C 7 1 0 4 1 0		5 3	1 8	K L 2 7 0 0 2 0		5 9	9
K F 2 2 0 2 2 0		1 1	4	K L 2 7 0 0 3 0		5 9	1 1
K F 2 2 0 2 3 0		1 1	3	K L 2 7 0 0 4 0		5 9	1 3
K F 2 2 0 2 4 0		1 1	1 4	K L 2 7 0 0 5 0		5 9	1 4
K F 2 2 0 3 0 2		1 1	1 7	K L 2 7 0 0 6 0		5 9	1 5
K F 2 2 0 4 2 1		1 1	1 6	K L 2 7 0 0 7 0		5 9	1 7
K F 2 3 0 2 3 0		1 7	1 2	K L 2 7 0 0 8 1		5 7	2
K F 2 3 0 2 4 0		1 7	1 4	K L 2 7 0 0 9 1		5 7	1 1
K F 2 3 0 2 5 0		1 7	1 3	K L 2 7 0 1 0 1		5 7	5
K F 2 3 0 5 0 0		1 3	6	K L 2 7 0 1 1 0		5 7	8
K F 2 3 0 5 8 0		5 9	3	K L 2 7 0 1 2 0		5 7	7
K F 2 3 0 6 3 0		3 1	1 9	K L 2 7 0 1 3 0		5 7	6
K F 2 3 0 6 4 0		1 7	3 4	K L 2 7 0 1 4 0		5 7	4
K F 2 3 0 6 6 1		1 7	3 1	K L 2 7 0 1 4 0		5 9	2 1
K F 2 3 0 6 7 0		1 7	3 2	K L 2 7 0 1 5 0		5 7	3
K F 2 3 0 9 1 0		1 7	1 7	K L 2 7 0 1 5 0		5 9	2 0
K F 2 3 0 9 2 0		1 7	1 0	K L 2 7 0 2 6 0		5 7	9
K F 2 3 0 9 3 0		1 7	1 1	K L 2 7 0 3 6 0		5 5	8
K F 2 4 0 9 0 0		5 3	2	K L 2 7 0 3 8 0		5 5	1 7
K F 2 5 0 9 0 0		1 1	2 4	K L 2 7 0 3 9 0		5 5	3 1

From the library of: Diamond Needle Corp

I N D E X

LIST	No.	PAGE No.	ITEM	LIST	No.	PAGE No.	ITEM
KL 2 7 0 4 0 0		5 7	1 7				
KL 2 7 0 4 1 0		5 7	1 3				
KL 2 7 0 4 2 0		5 7	1 6				
KL 2 7 0 4 3 0		5 7	1 5				
KL 2 7 0 4 4 0		5 7	1 8				
KL 2 7 0 4 5 0		5 7	1 2				
KL 2 7 0 5 2 0		5 9	1 6				
KN 2 3 1 3 5 0		1 7	2				
KN 2 7 1 1 9 0		5 5	1 6				
KN 2 7 1 2 2 0		5 5	1 5				
KN 2 7 1 5 6 0		5 5	2 9				
KN 2 7 1 6 5 1		5 5	4				
KN 2 7 1 6 6 1		5 5	5				
KN 2 7 1 7 5 0		6 1	7				
KN 2 7 1 7 8 1		6 1	5				
KN 2 7 2 3 5 0		6 1	1 7				
KN 3 1 0 0 0 0		2 7	6				
KN 3 1 0 0 1 0		2 7	1 5				
KN 3 1 3 6 7 0		2 7	5				
KN 3 1 5 1 1 0		2 7	1 6				
KN 4 5 0 3 0 0		4 1	2 8				
KN 4 5 0 3 0 0		4 3	1 3				
KN 4 8 0 0 6 1		4 1	1 0				
KN 4 8 0 0 6 1		4 3	9				
KN 4 8 0 0 6 1		4 5	5				
KN 4 8 0 0 6 1		4 7	1 1				
KN 5 1 1 0 2 0		1 1	3 8				
KN 5 4 0 5 0 0		6 3	2				
KN 5 4 0 5 1 0		6 3	4				
KN 5 4 0 5 2 0		6 3	3				
KN 5 4 0 7 6 0		6 3	7				
KU 2 4 1 4 0 0		2 3	1 4				
KU 4 6 0 2 7 0		4 1	4				
KU 4 6 0 2 7 0		4 3	1 2				
MA 2 5 0 1 3 1		1 1	1 2				
MT 2 7 2 5 0 0		5 5	3 0				
MT 4 6 0 2 4 0		4 1	1 7				
MT 4 6 0 2 4 0		4 3	2 1				

From the library of: Diamond Needle Corp